

Print Number:

Print Date:

NOBLELIFT

Material Handling

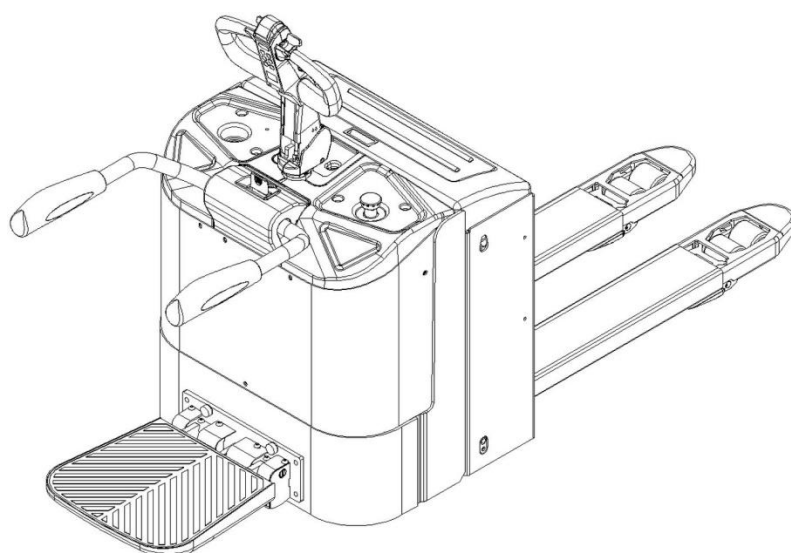


Scan QR Code for More

Electric Stacker PTE 20-C

Parts Manual

509846010101



Version V01

Truck Identification Number From:

Parts Manual: PTE20-C-PM01EN

Please order parts from authorized dealers of Noblift Intelligent Equipment Co., LTD.

In order to avoid wrong delivery, all the orders for spare parts should specify the following items:

- Truck model, identification number and manufacture year.

- Orders for spare parts of mast, hydraulic transmission unit, steering axle, motor, etc. shall indicate the manufacture number of these parts.

- Codes for Noblift spare parts are shown in the table of parts manual. Please also pay attention to the description of supply status, order quantity, etc. (check the number listed in "Mark" column of the parts manual).

"Mark" Column:

The unmarked indicates the parts are in short supply cycle.

Number 1: supply as package. Indicating these that parts are small parts and seal parts, which are supplied in package unit and in short supply cycle.

Number 2: supply with constraints. Indicating that these spare parts are not in stock and will be prepared for production after receiving the order from customers, which are in long supply cycle.

Number 3: phasing-out supply. Indicating that these parts will be replaced by new parts due to technical improvements and the current stock will not be available when these parts run out. Please check the description of technical improvements notice.

Number 4: supply as assembly. Indicating that these parts are assembly parts defined by manufacture process, which cannot be supplied as a single part.

Number 5: check other tables.

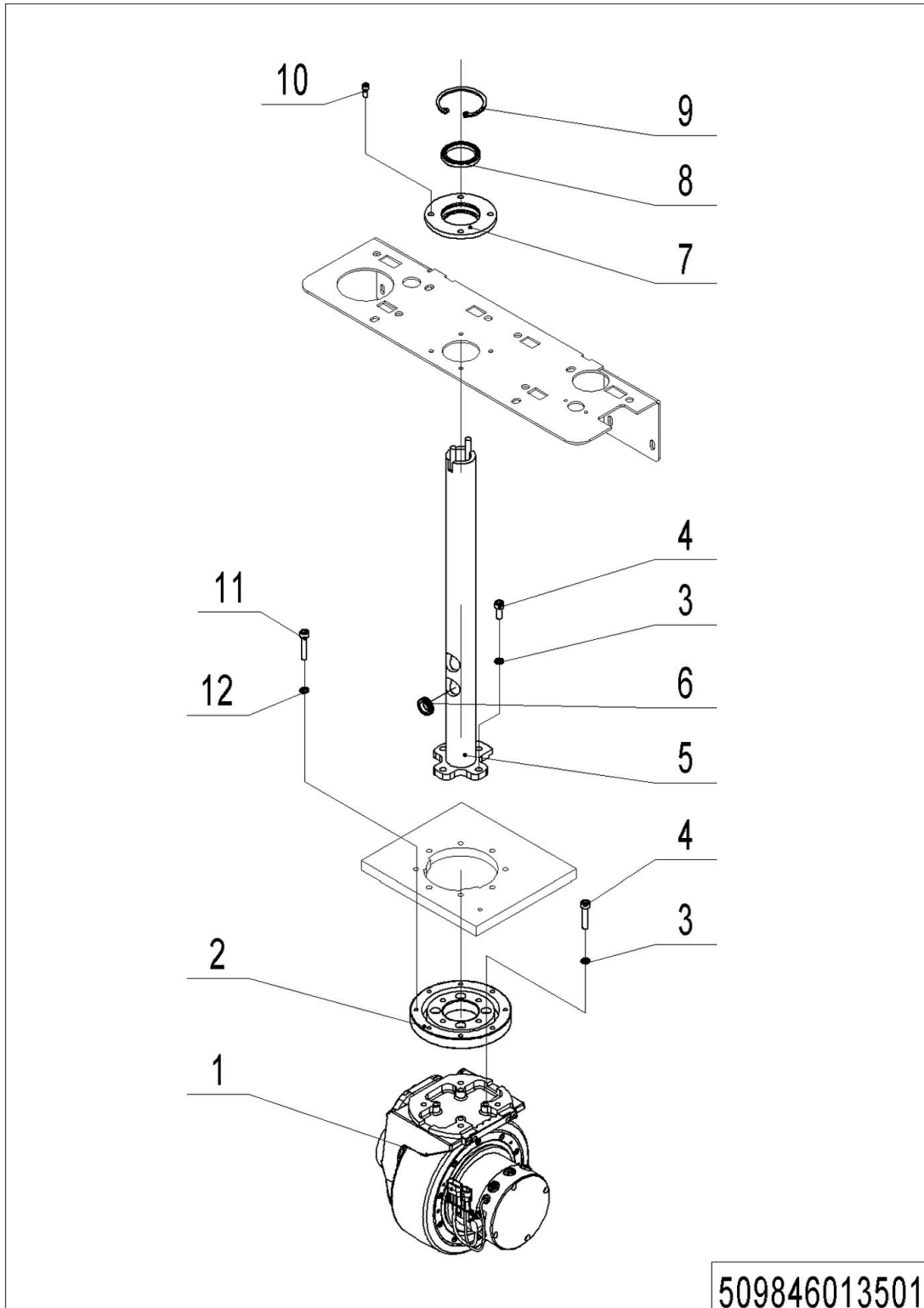
This parts manual is the property of Noblift and can be shared under the confidential agreement only, Noblift has the right to claim for compensation of any unauthorized use. Copy without permission is not allowed. Figures in the manual are not limited by the original design. Noblift Intelligent Equipment Co., LTD reserves the right to improve the products for continuous technology progress.

Table of Contents

Chapter 1: Drive System.....	4
01 Drive Unit-Manual Steering (509846013501)	4
Chapter 2: Hydraulic System.....	6
01 Hydraulic Components (509846024001)	6
02 Hydraulic Unit (505646023501)	8
Chapter 3: Truck Frame.....	10
01 Chassis (509846038501)	10
02 Truck Frame (509846021501)	14
03 Truck Frame (509846021502)	18
Chapter 4: Steering System, Braking System, Wheels	22
01 Tiller Unit (537246011001)	22
02 Tiller (509846011002)	24
03 Tiller (509846011003)	26
04 Tiller (505646011002)	28
05 Load Wheel (Tandem) (505646017001)	30
06 Load Wheel (Single) (505646017002).....	32
07 Caster (504446016501)	34
Chapter 5: Electrical Parts.....	36
01 Controller (509846033001)	36
02 Wire Harness (509846033002)	38
03 Battery and charger (509846033003)	40
Chapter 6: Guard Arm and Platform	42
01 Guard Arm (537246017501)	42
02 Platform (537246018001)	44
Chapter 7: Special Parts	46
01 Load Backrest (509846040501)	46
Chapter 8: Others	48
01 Labels and Decals-EU (509846047001)	48
02 Labels and Decals-US (509846047002)	50
Appendix	52
01 Hydraulic Circuit Diagram (505646044501)	52
02 Electrical Circuit Diagram (509846044502)	53
03 Electrical Circuit Diagram (509846044503)	54
04 Consumable Parts List	55

Chapter 1: Drive System

01 Drive Unit-Manual Steering (509846013501)

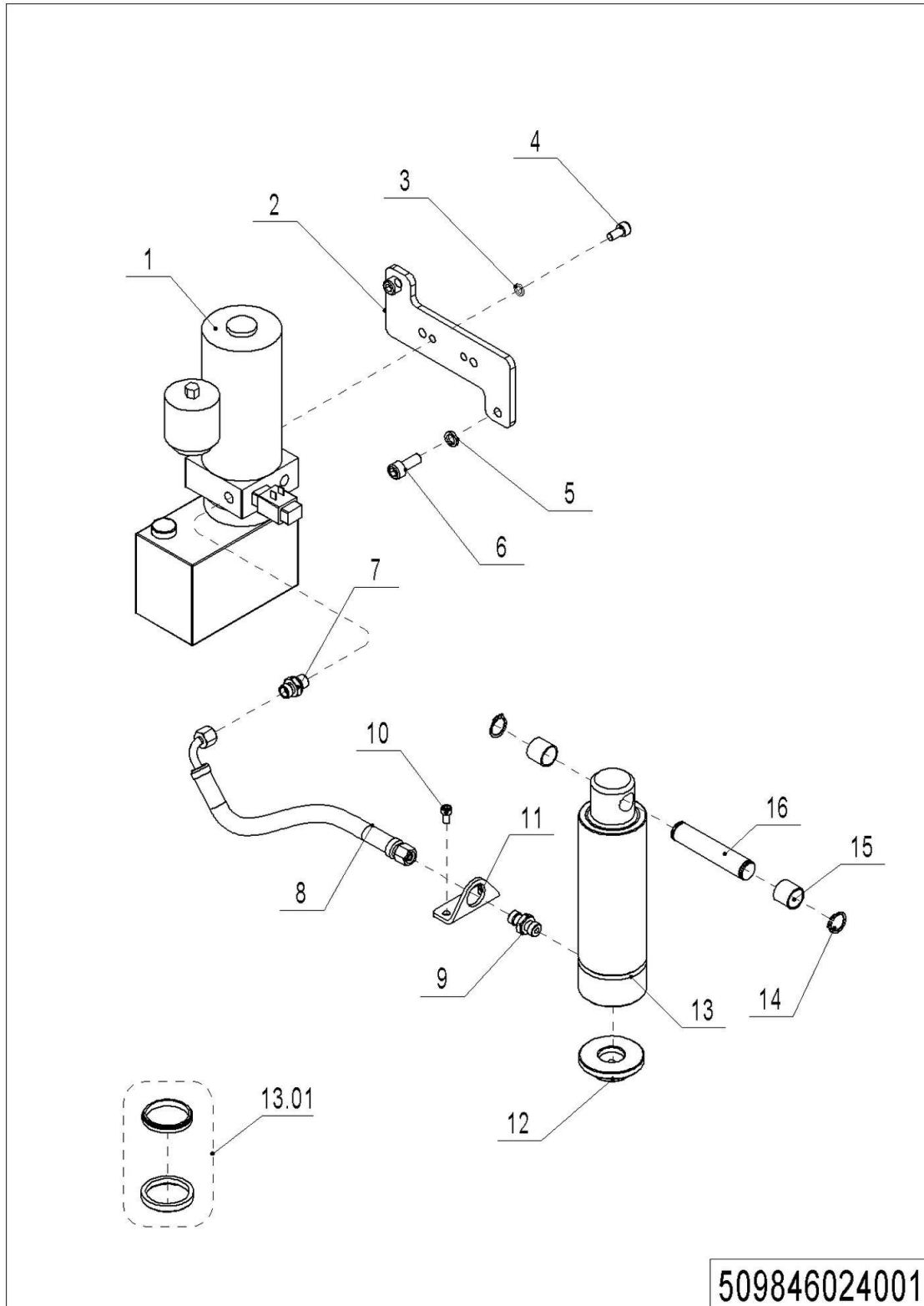


01 Drive Unit-Manual Steering (509846013501)

No.	Item Code	Mark	Item Description	Qty.	Substitute	Note
1	940900300006		Drive Unit	1		
2	532213520001		Slewing Bearing	1		
3	910400500007	1	Spring Washer	8		
4	910200200077	1	Screw	8		
5	509813510001		Handle Spindle	1		
6	504113520005		Jacket	2		
7	537231210002		Bracket	1		
8	910700200041		Bearing	1		
9	910401400020	1	Circlip	4		
10	910400500055	1	Screw M8x16	4		
11	910200200059	1	Screw	6		
12	910400500006	1	Spring Washer	6		

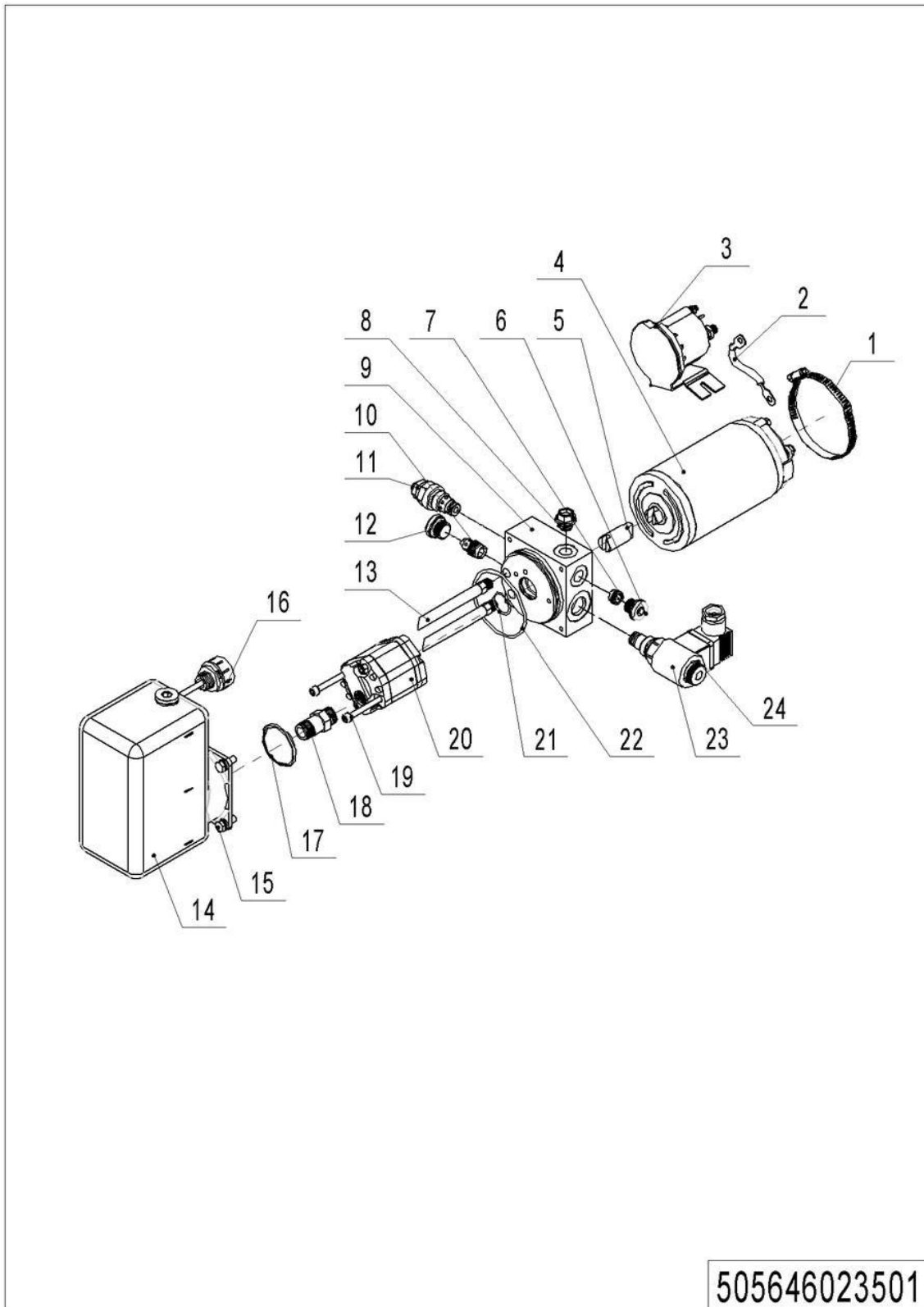
Chapter 2: Hydraulic System

01 Hydraulic Components (509846024001)



01 Hydraulic Components (509846024001)

No.	Item Code	Mark	Item Description	Qty.	Substitute	Note
1	950900100036	5	Pump Unit	1		See 505646023501
2	506724020001		Mounting Plate	1		
3	910400500006	1	Spring Washer	2		
4	910200200057	1	Screw	2		
5	910400500007	1	Spring Washer	2		
6	910200200076	1	Screw	2		
7	950400300003		Joint	1		
8	505924020003		Hose	1		
9	950400400001		Joint	1		
10	910200200033	1	Screw	2		
11	505621520027		Locating Rack	1		
12	505621520035		Cylinder Base	1		
13	505624010000		Cylinder	1		
13.01	505698510005		Seal Kit	1		
14	910401300011		Circlip	2		
15	940500100019		Bushing	2		
16	505638520033		Pin	1		

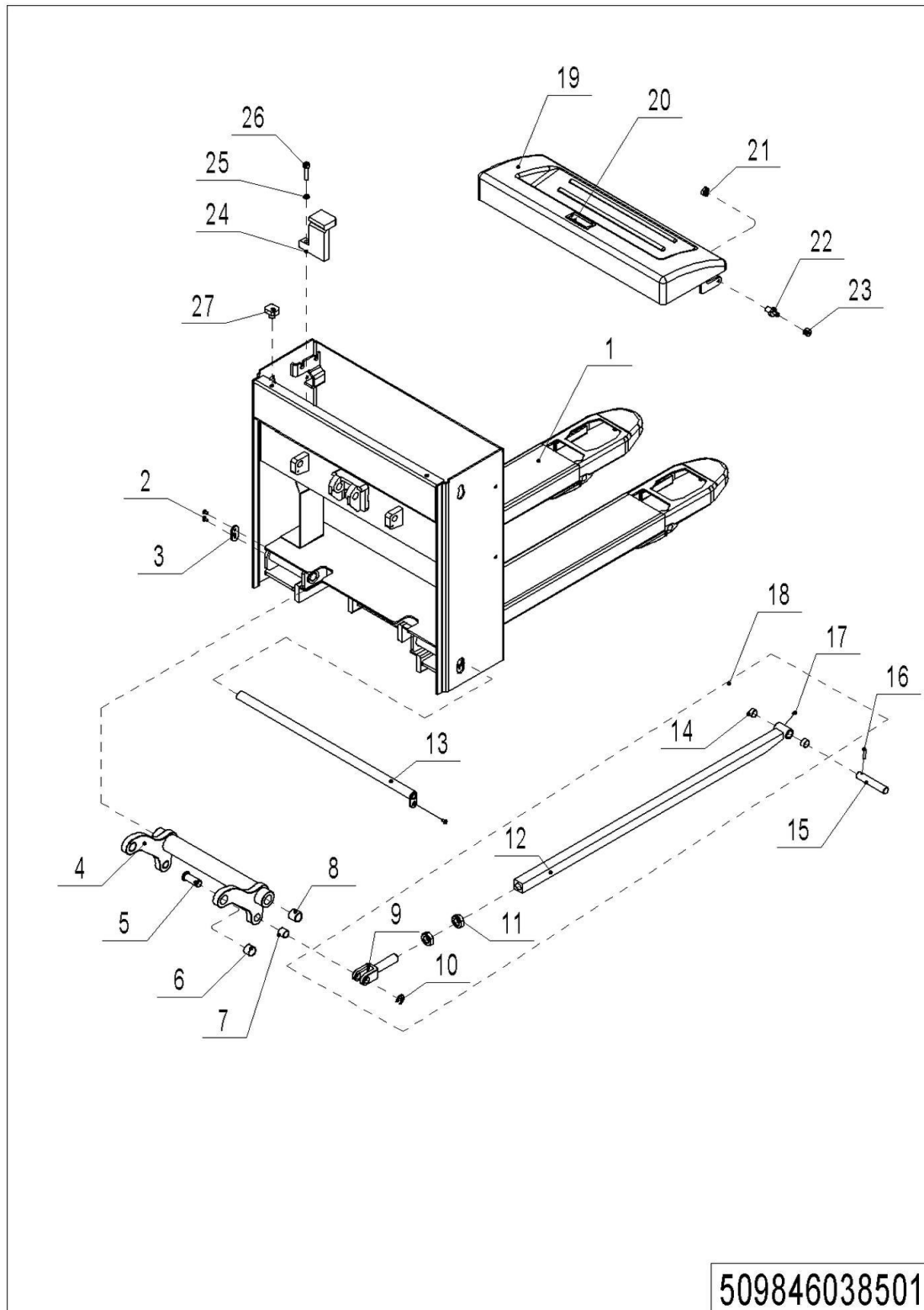
02 Hydraulic Unit (505646023501)

02 Hydraulic Unit (505646023501)

No.	Item Code	Mark	Item Description	Qty.	Substitute	Note
--	950900100069		Pump Unit	1		
1	505698520032		Hoop	1		
2	508098520007		Cables	1		
3	505698520034		Switch	1		
4	505698520035		Motor	1		
5	505698520036		Coupling	1		
6	505698520037		End Cap	1		
7	505698520038		Check Valve	1		
8	505698520039		End Cap	1		
9	505698520040		Valve Plate	1		
10	505698520041		Valve	1		
11	505698520042		Overflow Valve	1		
12	505698520043		End Cap	1		
13	505698520044		Pipe	2		
14	505698520045		Tank	1		
15	505698520046		Bolt	4		
16	505698520047		Cap-Tank	1		
17	505698520048		Filter	1		
18	505698520049		Oil Tube	1		
19	505698520050		Screw	2		
20	505698520051		Gear Pump	1		
21	505698520052		O-Ring	1		
22	505698520053		O-Ring	1		
23	505698520054		Magnetic Valve	1		
24	505698520055		Coil	1		

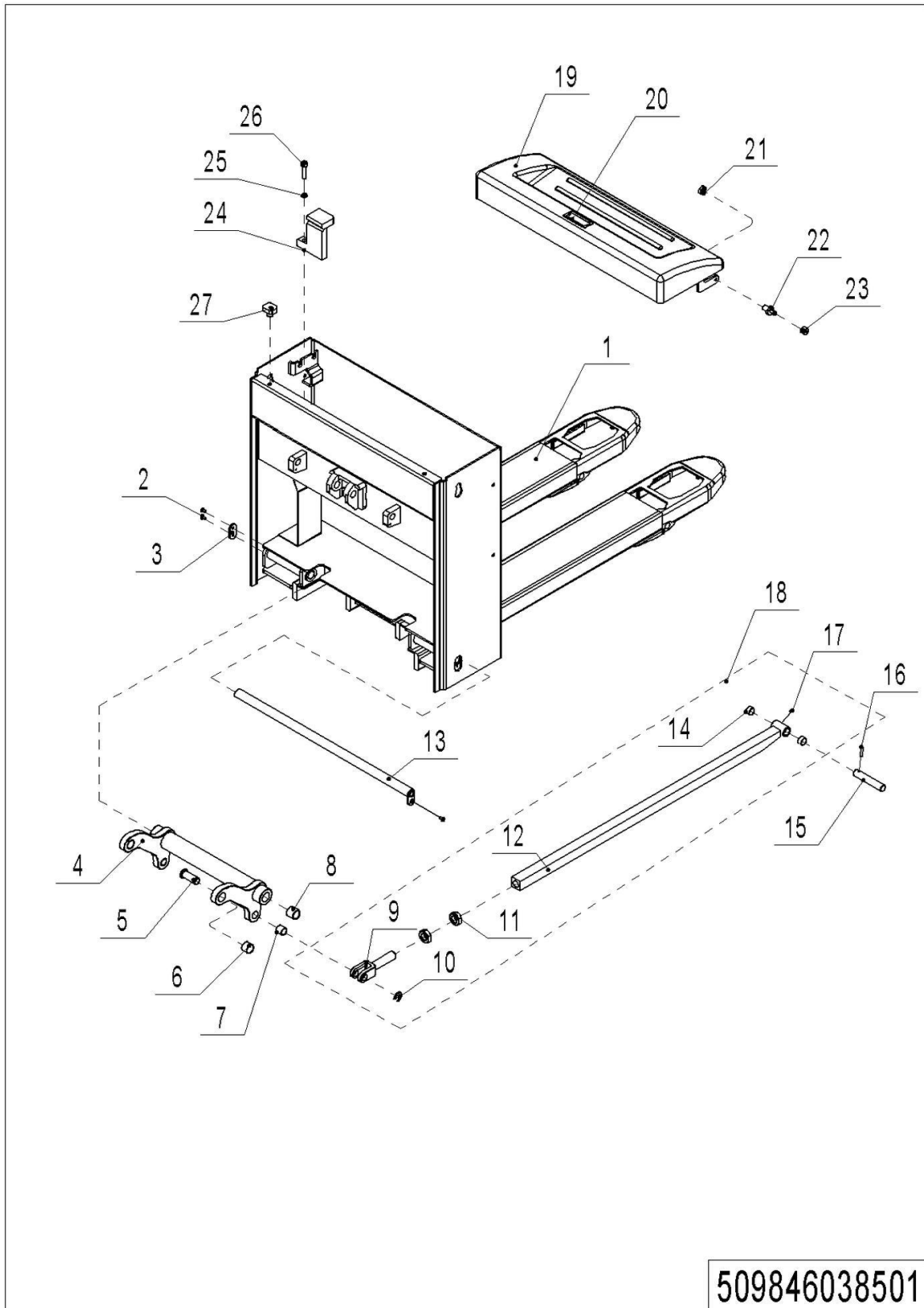
Chapter 3: Truck Frame

01 Chassis (509846038501)



01 Chassis (509846038501)

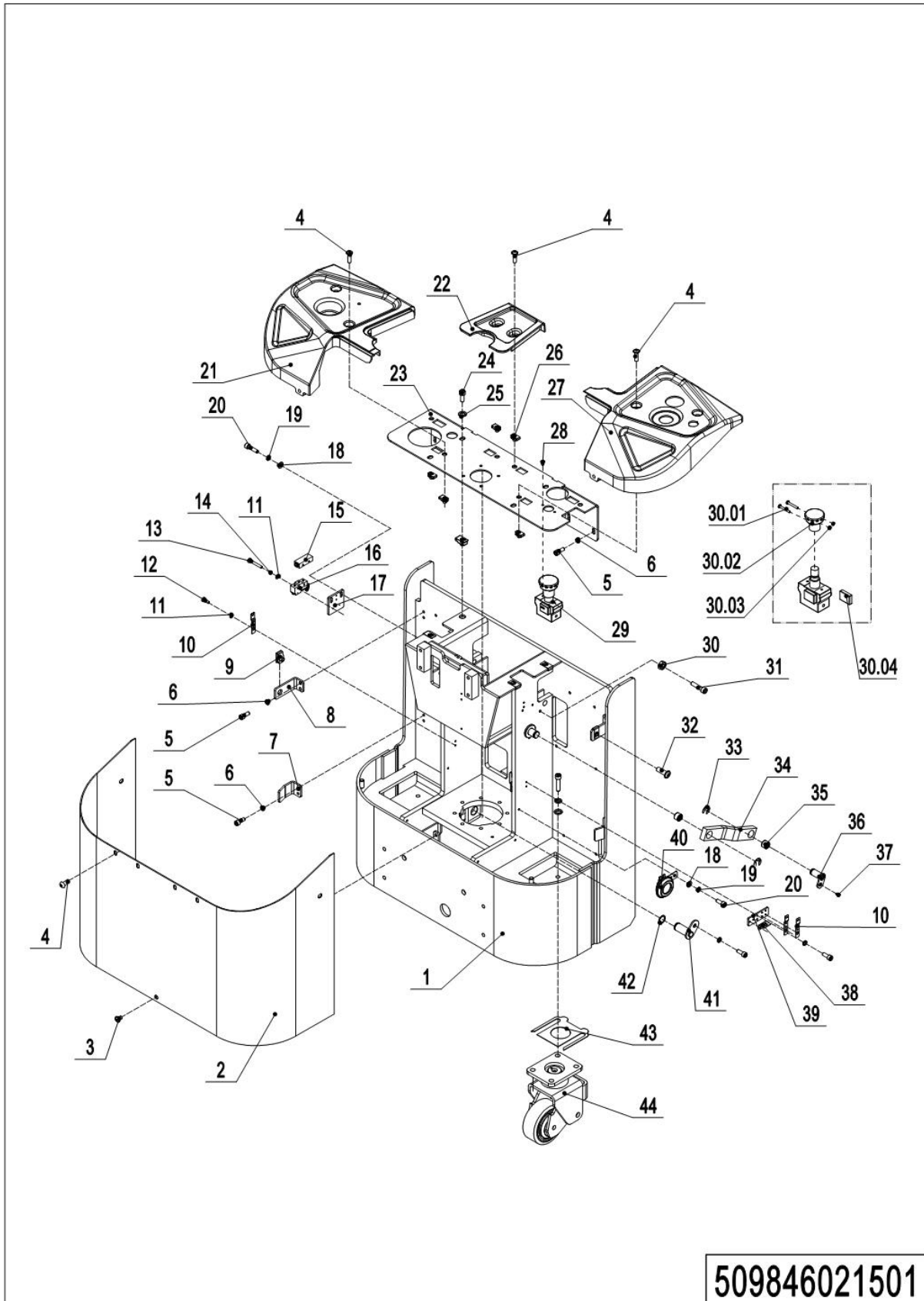
No.	Item Code	Mark	Item Description	Qty.	Substitute	Note
1	509838510000		Chassis(EU540x1150)	1		
1	509838510003		Chassis(EU 540x1220)	1		
1	509838510005		Chassis(EU 540x1500)	1		
1	509838510007		Chassis(EU 540x1800)	1		
1	509838510009		Chassis(EU 540x2000)	1		
1	509838510002		Chassis(EU 685x1150)	1		
1	509838510004		Chassis(EU 685x1220)	1		
1	509838510006		Chassis(EU 685x1500)	1		
1	509838510008		Chassis(EU 685x1800)	1		
1	509838510010		Chassis(EU 685x2000)	1		
2	910200400016	1	Screw	5		
3	505638520031		Fixing Plate	1		
4	505638510001		Rise Arm	1		
4	505638510007		Rise Arm	1		
5	505638520034		Pin	1		
6	940500100027		Bushing	2		
7	940500100019		Bushing	2		
8	940500100032		Bushing	2		
9	505638520035		Push Rod Fork	2		
10	910401700005	1	Circlip	2		
11	910300400010		Nut	4		
12	505638510002		Push Rod (1150, EU)	2		
12	505638510009		Push Rod (1220, EU)	2		
12	505638510018		Push Rod (1500, EU)	2		
12	505638510016		Push Rod (1800, EU)	2		
12	505638510014		Push Rod (2000, EU)	2		
13	509838510001		Pin	1		
14	940500100012		Bushing	4		
15	505638520037		Axle	2		
16	910600400027	1	Spring Pin	2		

01 Chassis (509846038501) Continuation

01 Chassis (509846038501) Continuation

No.	Item Code	Mark	Item Description	Qty.	Substitute	Note
17	911200100001		Oil Cup	2		
18	505698510006		Push Rod Kit	2		
18	505698510011		Push Rod Kit	2		
18	505698510015		Push Rod Kit(EU1500)	2		
18	505698510016		Push Rod Kit(EU1800)	2		
18	505698510017		Push Rod Kit(EU2000)	2		
19	505621010000		Cell Cover	1		
20	509821020002		Hold Hands	1		
21	910300300005	1	Nut	3		
22	505621020005		Axle	3		
23	505621020004		Crash Pad	3		
24	505638510005		Stop Plate	1		
25	910400500006	1	Spring Washer	1		
26	910200200060	1	Screw	1		

02 Truck Frame (509846021501)

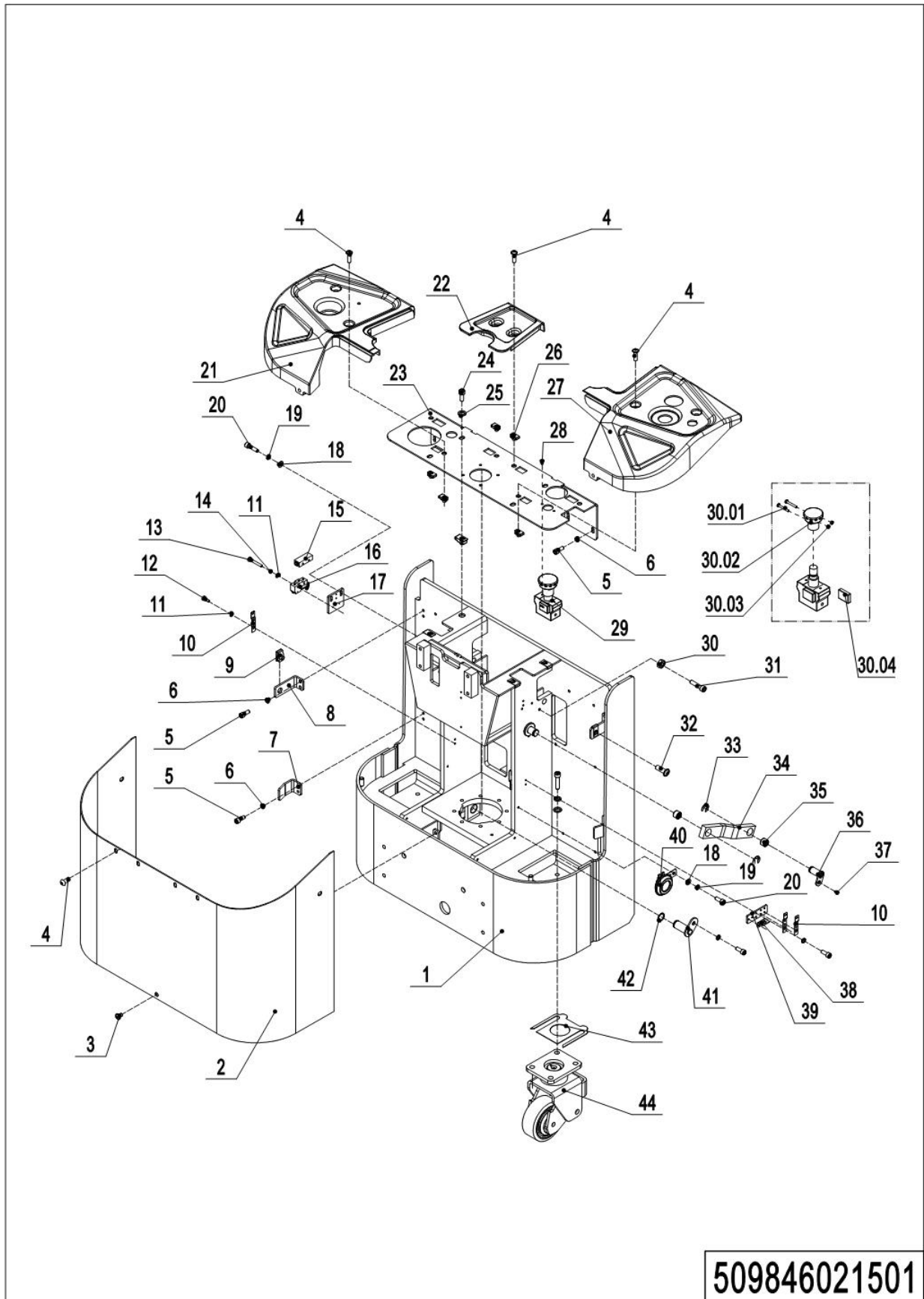


509846021501

02 Truck Frame (509846021501)

No.	Item Code	Mark	Item Description	Qty.	Substitute	Note
1	509821510002		Chassis	1		
2	509821510001		Cover	1		
3	941100100005		Screw	1		
4	941100100012		Screw,M8x20	10		
5	910200200035		Screw	16		
6	910400500006		Spring Washer	16		
7	509821520013		Baffle	2		
8	509821520012		Mounting Plate	2		
9	940400400003		Cage Nut	6		
10	921300300005		Holder	5		
11	910400100003	1	Flat Washer	16		
12	910200500020	1	Screw	14		
13	910200500027	1	Screw	2		
14	910400500005	1	Spring Washer	2		
15	920200300008		Protective Cover	1		
16	920200300001		Microswitch	1		
17	509821520014		Mounting Plate	1		
18	910400100005	1	Flat Washer	9		
19	910400500005	1	Spring Washer	9		
20	910200200035	1	Screw	9		
21	509821520025		Protective Cover	1		
22	509821520021		Protective Cover	1		
23	509821520016		Top Plate	1		
24	910200200074	1	Screw	4		
25	910400100007	1	Flat Washer	12		
26	940400400002		Cage Nut	6		
27	509821520022		Protective Cover	1		
28	910200500021	1	Screw	2		
29	920200100001		Emergency Button	1		
29.01	910200500016	1	Screw	2		

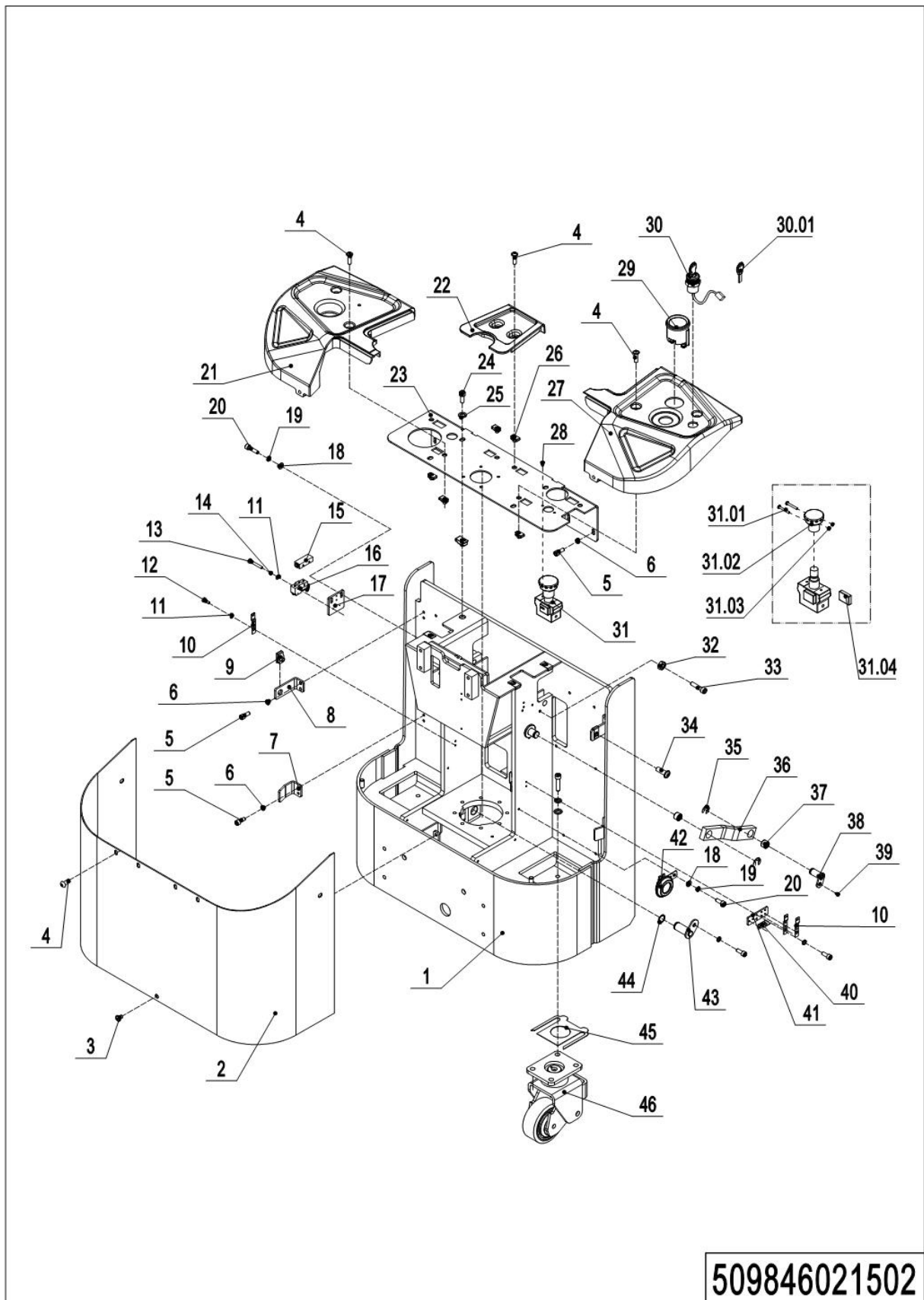
02 Truck Frame (509846021501) Continuation



02 Truck Frame (509846021501) Continuation

No.	Item Code	Mark	Item Description	Qty.	Substitute	Note
29.02	505698520029	2	Button	1		
29.03	910300100002	1	Nut	2		
29.04	920200100011	2	Emergency Button	1		
30.04	910300100007	1	Nut	2		
31	910200200078	1	Screw	10		
32	941100100003	1	Screw	2		
33	910401700005	1	Circlip	4		
34	505621520020		Rod	2		
35	940500100017		Bushing	4		
36	505638510004		Pin	2		
37	910200400016	1	Screw	4		
38	921300300003		Holder	2		
39	920500100001		Horn	1		
40	509821520015		Mounting Plate	2		
41	505921510002		Pin	2		
42	910401300014	1	Circlip	2		
43	505616520014		Pad	2		
44	504416510001		Caster Assembly	2		

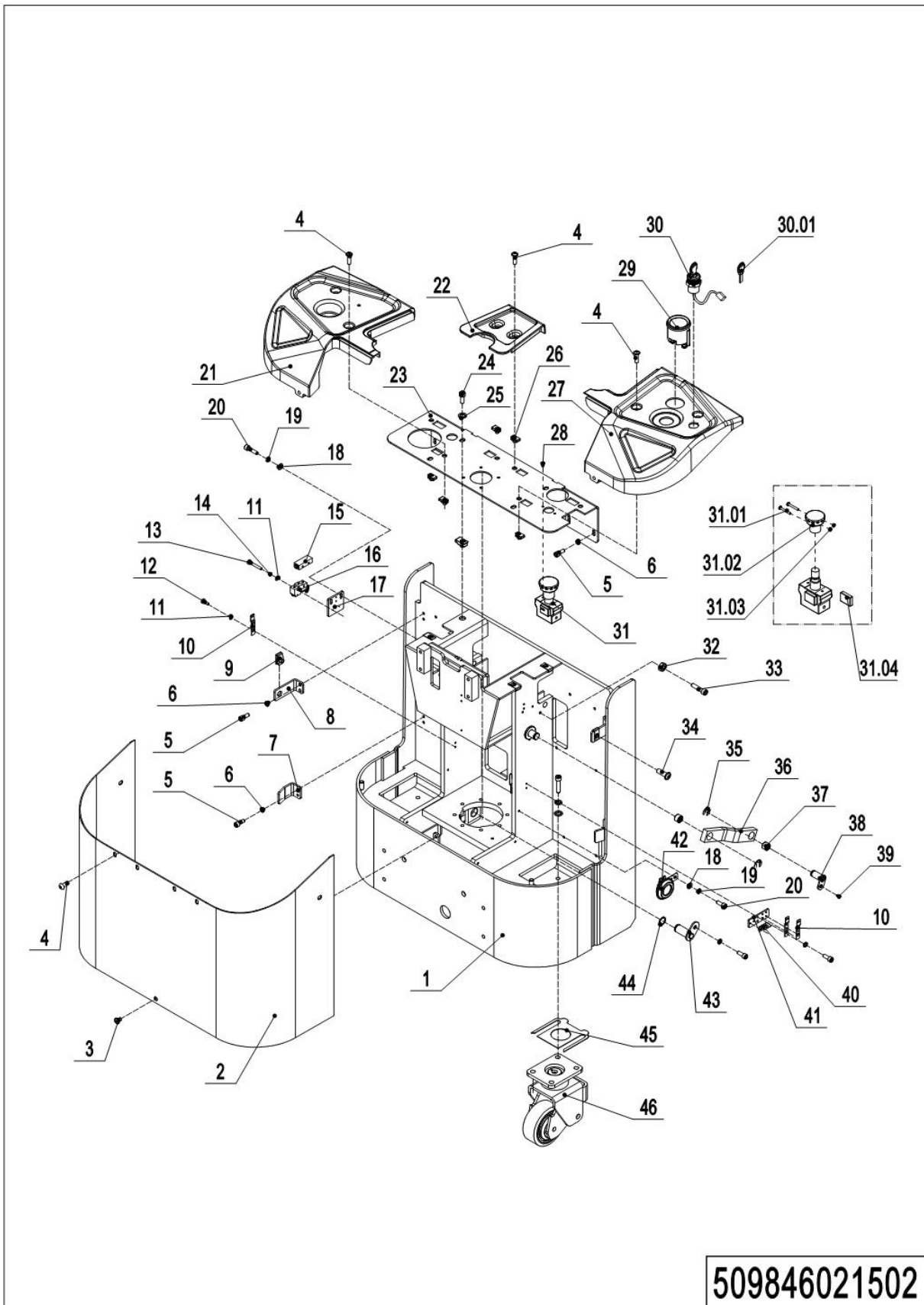
03 Truck Frame (509846021502)



03 Truck Frame (509846021502)

No.	Item Code	Mark	Item Description	Qty.	Substitute	Note
1	509821510002		Chassis	1		
2	509821510001		Cover	1		
3	941100100005		Screw	1		
4	941100100012		Screw,M8x20	10		
5	910200200035		Screw	16		
6	910400500006		Spring Washer	16		
7	509821520013		Baffle	2		
8	509821520012		Mounting Plate	2		
9	940400400003		Cage Nut	6		
10	921300300005		Holder	5		
11	910400100003	1	Flat Washer	16		
12	910200500020	1	Screw	14		
13	910200500027	1	Screw	2		
14	910400500005	1	Spring Washer	2		
15	920200300008		Protective Cover	1		
16	920200300001		Microswitch	1		
17	509821520014		Mounting Plate	1		
18	910400100005	1	Flat Washer	9		
19	910400500005	1	Spring Washer	9		
20	910200200035	1	Screw	9		
21	509821520025		Protective Cover	1		
22	509821520021		Protective Cover	1		
23	509821520016		Top Plate	1		
24	910200200074	1	Screw	4		
25	910400100007	1	Flat Washer	12		
26	940400400002		Cage Nut	6		
27	509821520022		Protective Cover	1		
28	910200500021	1	Screw	2		
29	921100100044		Battery Indicator	1		
30	505634010000		Key Switch	1		

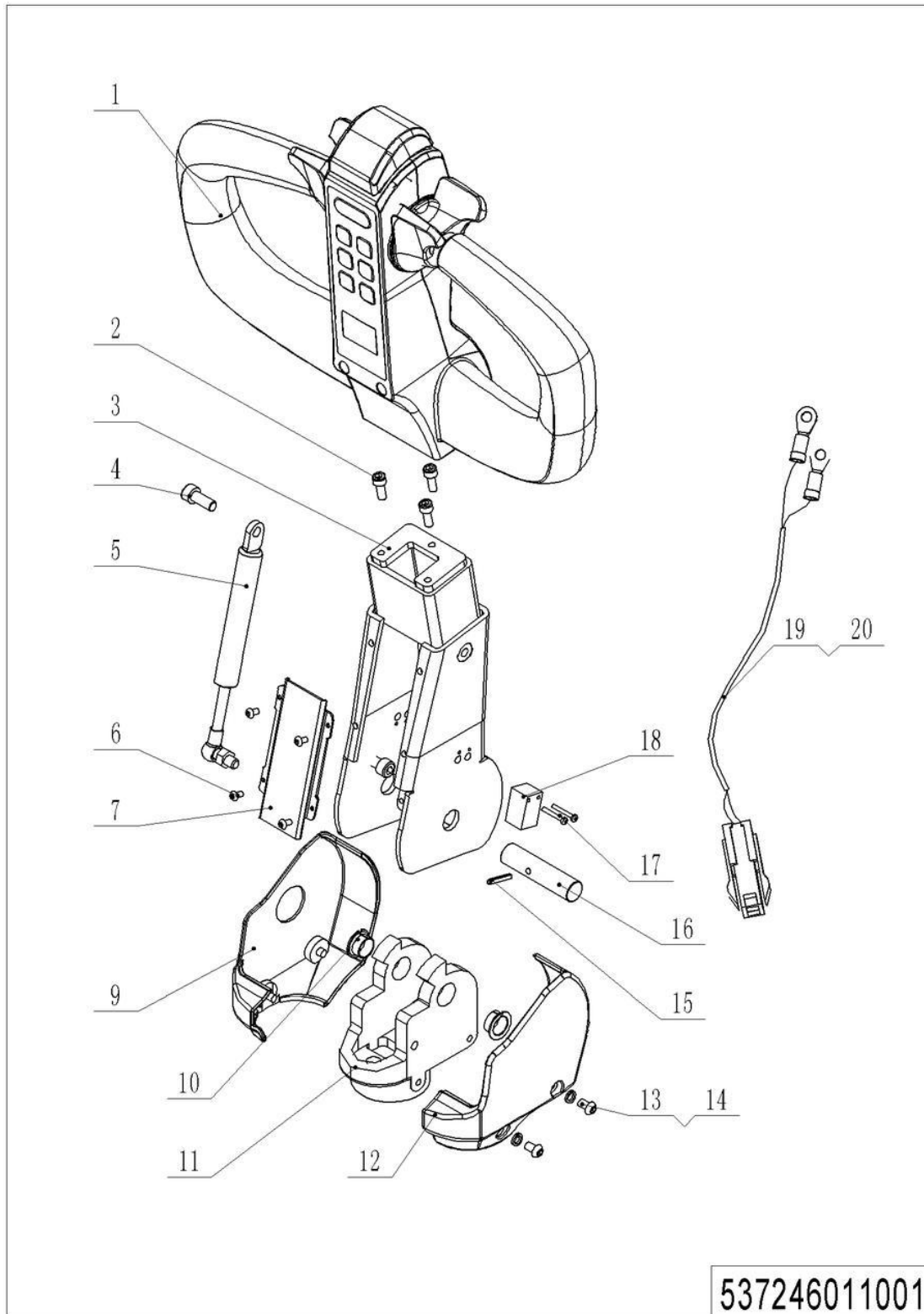
03 Truck Frame (509846021502) Continuation



509846021502

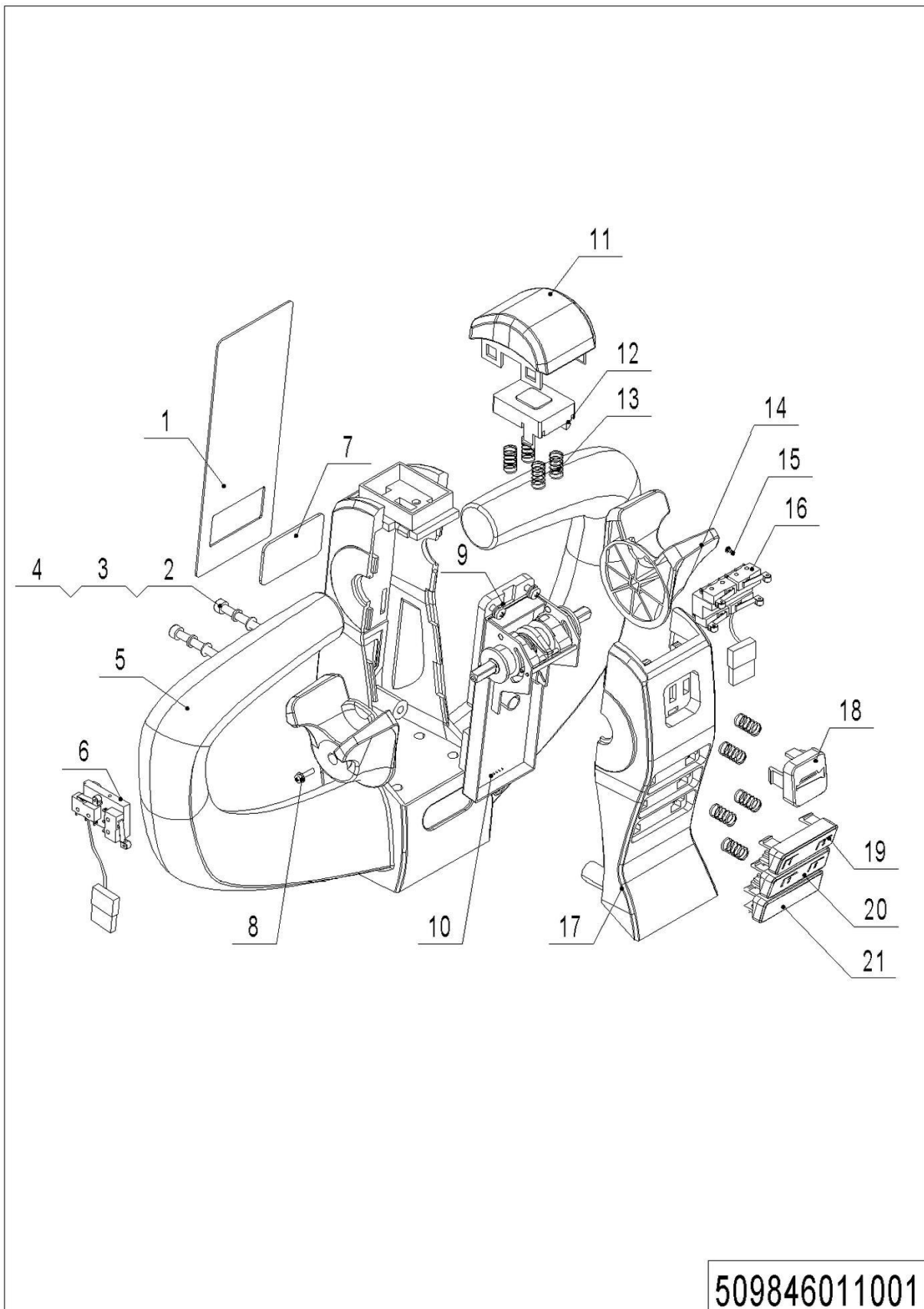
03 Truck Frame (509846021502) Continuation

No.	Item Code	Mark	Item Description	Qty.	Substitute	Note
30.01	505698520031	2	Key	1		
31	920200100001		Emergency Button	1		
31.01	910200500016	1	Screw	2		
31.02	505698520029	2	Button	1		
31.03	910300100002	1	Nut	2		
31.04	920200100011	2	Emergency Button	1		
32	910300100007	1	Nut	2		
33	910200200078	1	Screw	10		
34	941100100003	1	Screw	2		
35	910401700005	1	Circlip	4		
36	505621520020		Rod	2		
37	940500100017		Bushing	4		
38	505638510004		Pin	2		
39	910200400016	1	Screw	4		
40	921300300003		Holder	2		
41	920500100001		Horn	1		
42	509821520015		Mounting Plate	2		
43	505921510002		Pin	2		
44	910401300014	1	Circlip	2		
45	505616520014		Pad	2		
46	504416510001		Caster Assembly	2		

Chapter 4: Steering System, Braking System, Wheels**01 Tiller Unit (537246011001)**

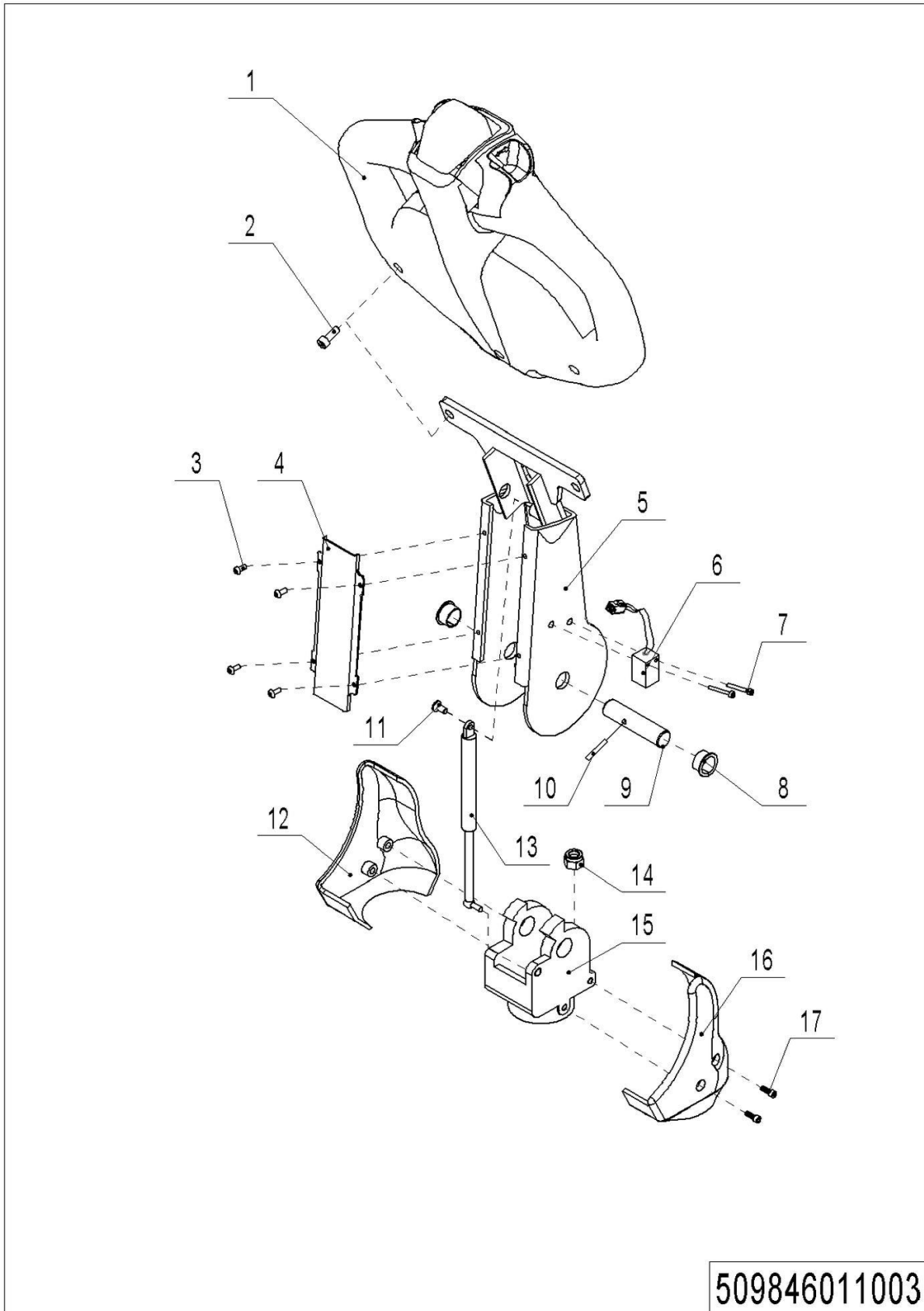
01 Tiller Unit (537246011001)

No.	Item Code	Mark	Item Description	Qty.	Substitute	Note
1	-----	5	Tiller	1		See 537246011002
2	910200200035	1	Screw	3		
3	537211010000	2	Tiller	1		
4	910200200057	1	Screw	1		
5	940400100044	2	Air Spring	1		
6	910200300005	1	Screw	4		
7	537211020004	2	Close Plate	1		
8	505611020007	1	Screw	1		
9	535911020005	2	Protective Cover	1		
10	940500200002	1	Bushing	1		
11	535911020009	2	Bracket	1		
12	535911020006	2	Protective Cover	1		
13	910400500005	1	Spring Washer	4		
14	910200300016	1	Screw	4		
15	910600400013	1	Spring Pin	1		
16	505611020008	2	Axle	1		
17	910200500015	1	Screw	2		
18	920200400034	2	Proximity Switch	1		
19	537233010001	2	Wire Harness	1		
20	531833010002	2	Wire	1		

02 Tiller (509846011002)

02 Tiller (509846011002)

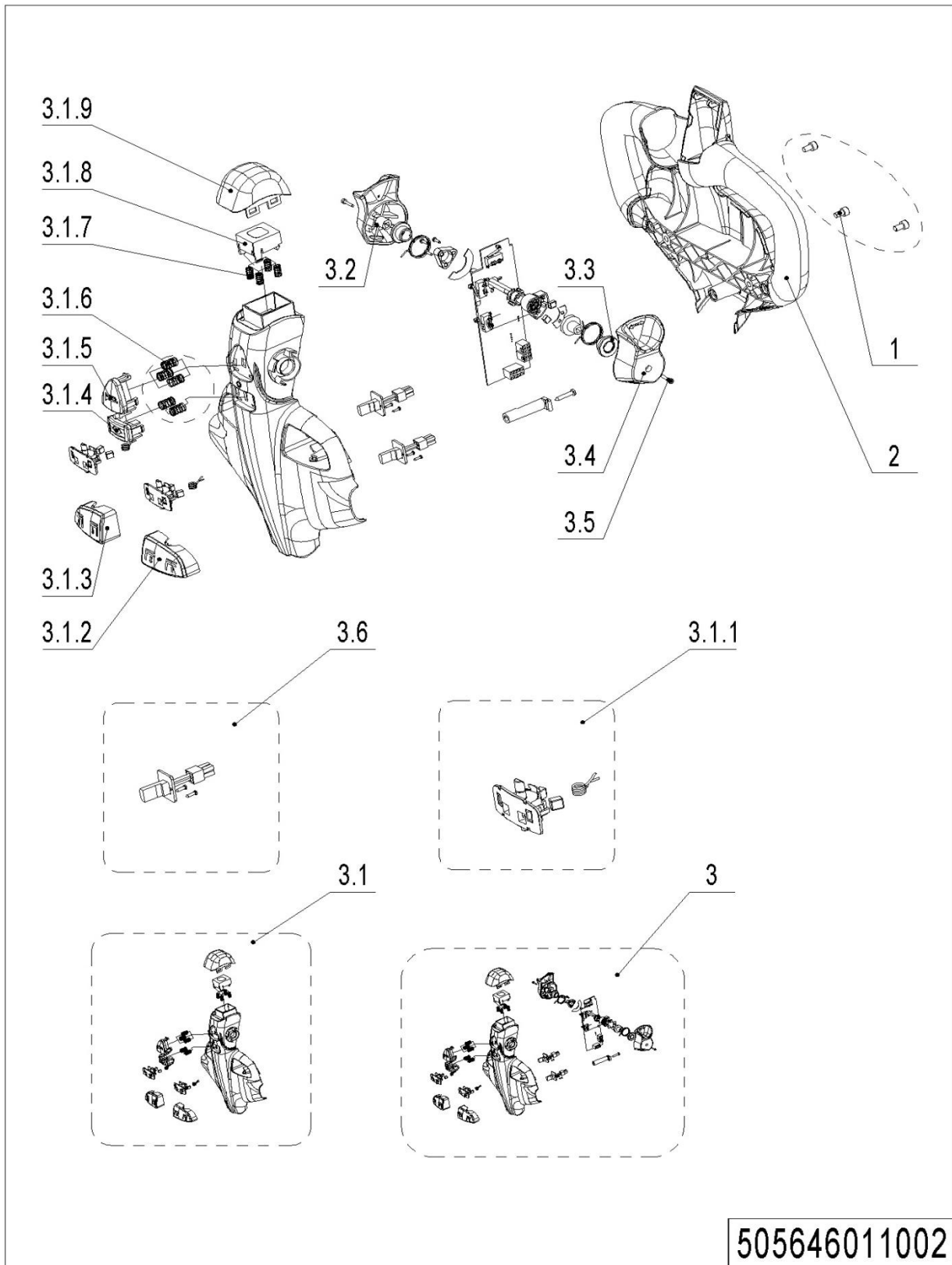
No.	Item Code	Mark	Item Description	Qty.	Substitute	Note
1	509898520017	2	Button	1		
2	910200200027	2	Screw	2		
3	910201900002	2	Screw	2		
4	910400500004	2	Spring Washer	2		
5	509898520001	2	Plastic Handle	1		
6	509898510000	2	Wire Harness	1		
7	509898510003	2	Screen Protection	1		
8	910201900002	2	Screw	2		
9	910201900003	2	Screw	4		
10	509898510001	2	Accelerator Assembly	1		
11	509898520007	2	Button	1		
12	509898520006	2	Cover	1		
13	537098520005	2	Spring	10		
14	509898520008	2	Dial Key	2		
15	910201400001	2	Screw	2		
16	509898510002	2	Wire Harness	1		
17	509898520009	2	Cover	1		
18	509898520004	2	Button	1		
19	509898520003	2	Button	1		
20	509898520002	2	Button	1		
21	509898520001	2	Plastic Handle	1		

03 Tiller (509846011003)

03 Tiller (509846011003)

No.	Item Code	Mark	Item Description	Qty.	Substitute	Note
1	922100100012		Tiller	1		
2	910200200058	1	Screw	2		
3	910200300005	1	Screw	4		
4	505611020013		Close Plate	1		
5	505611010001		Tiller	1		
5	505611010000		Tiller	1		
6	505633510000	2	Proximity Switch	1		
7	910200500015	1	Screw	2		
8	940500200002		Bushing	2		
9	505611020008		Axle	1		
10	910600400013	1	Spring Pin	1		
11	910200200057	1	Screw	1		
12	505611020010		Protective Cover	1		
13	940400100003		Air Spring	1		
14	910300500005	1	Nut	2		
15	505611020009		Bracket	1		
16	505611020011		Protective Cover	1		

04 Tiller (505646011002)

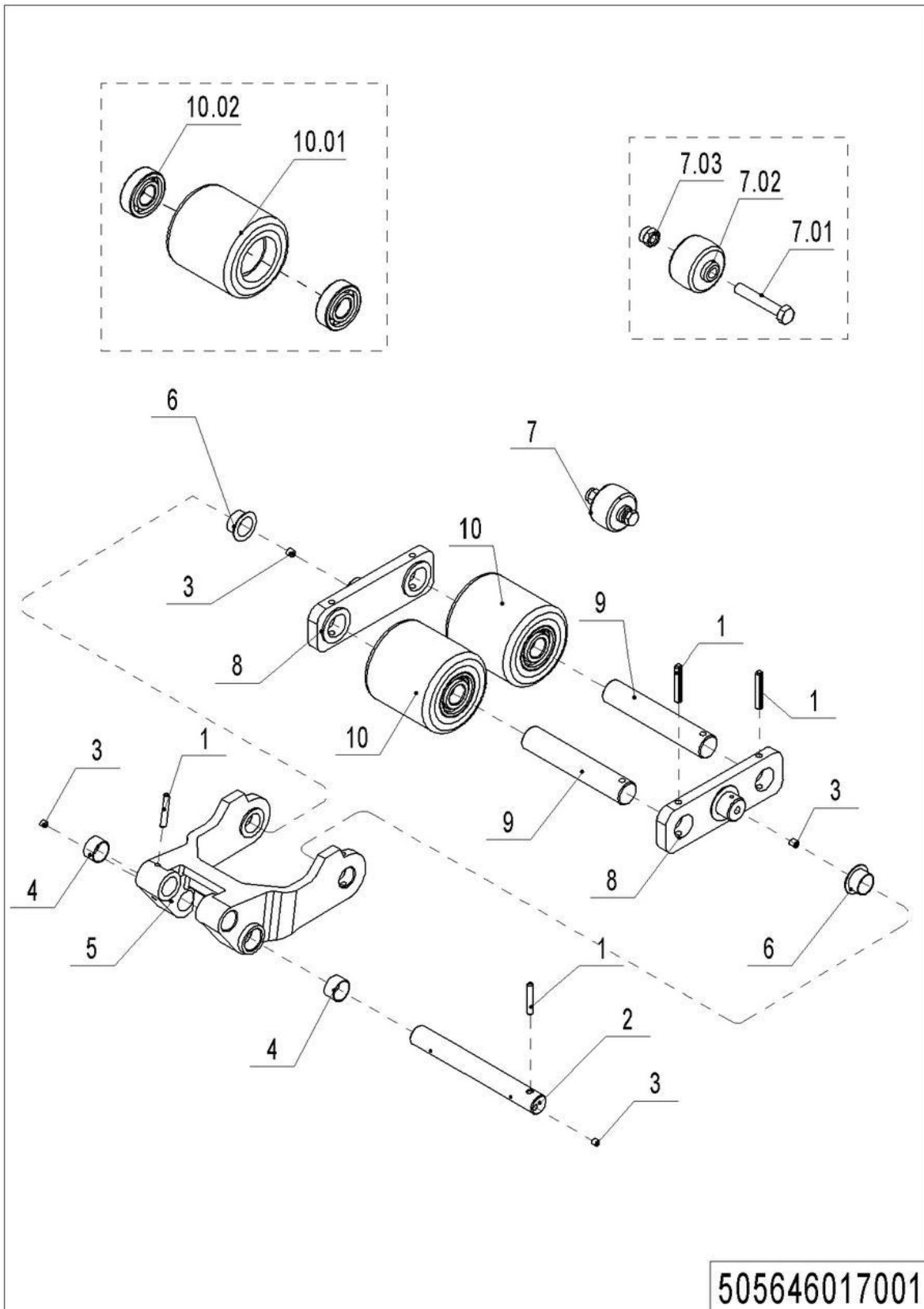


505646011002

04 Tiller (505646011002)

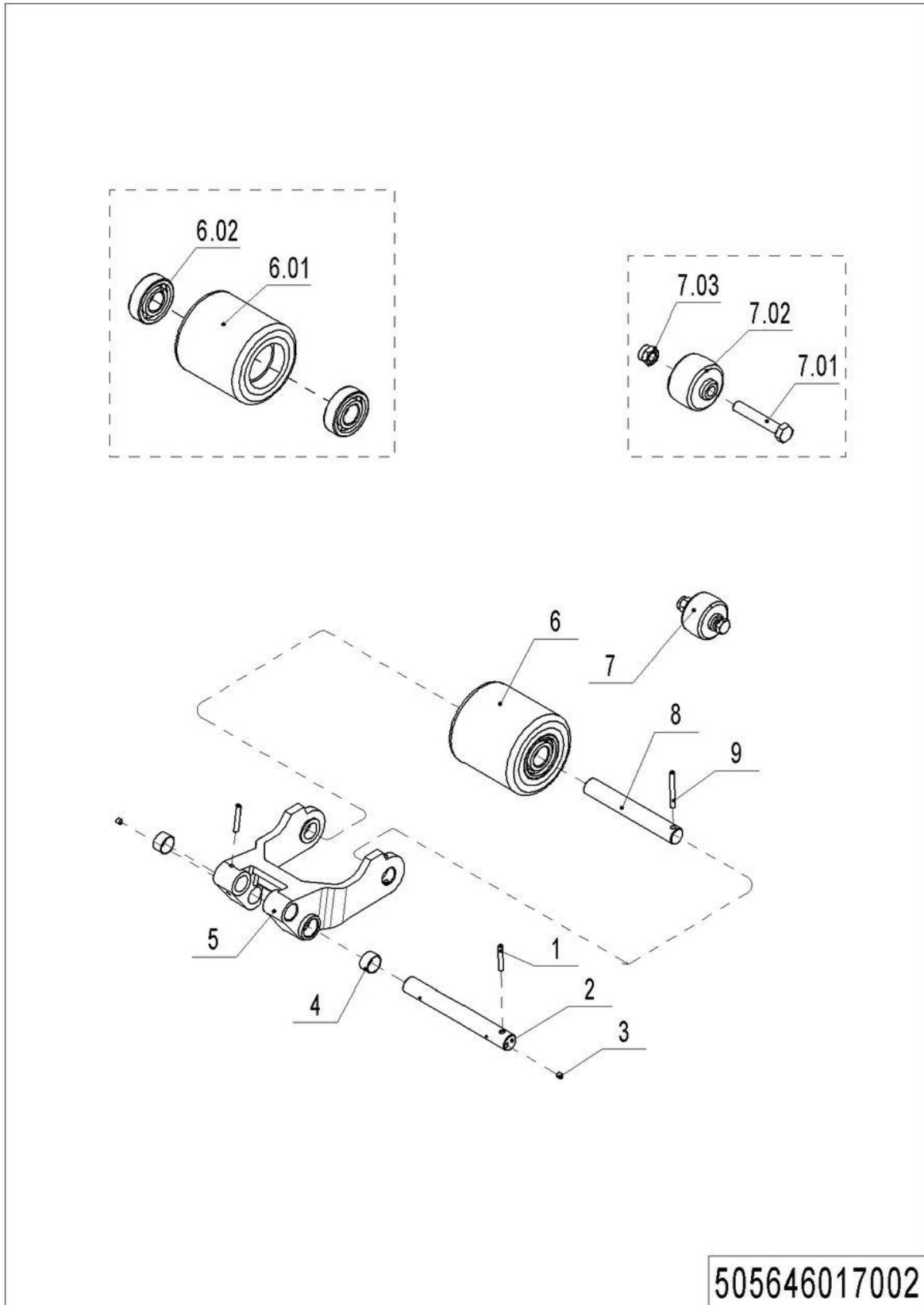
No.	Item Code	Mark	Item Description	Qty.	Substitute	Note
1	910200200032	1	Screw	3		M6×10
2	505698520124	2	Handle Cap	1		
3	505698510024	2	Handle Cap Kit	1		
3.1	505698510021	2	Handle Cap Kit	1		
3.1.1	505698510023	2	Sensor	1		
3.1.2	505698520113	2	Button	1		
3.1.3	505698520114	2	Button	1		
3.1.4	505698520115	2	Button	1		
3.1.5	505698520116	2	Button	1		
3.1.6	505698520117	2	Spring	5		
3.1.7	505698520118	2	Spring	4		
3.1.8	505698520119	2	Cover	1		
3.1.9	505698520120	2	Cover	1		
3.2	505698520121	2	Traction lever	1		
3.3	505698520122	2	Sleeve	2		
3.4	505698520123	2	Traction lever	1		
3.5	910200200004	1	Screw	2		M3×16
3.6	505698510022	2	Magnetic Steel Base Kit	1		

05 Load Wheel (Tandem) (505646017001)



05 Load Wheel (Tandem) (505646017001)

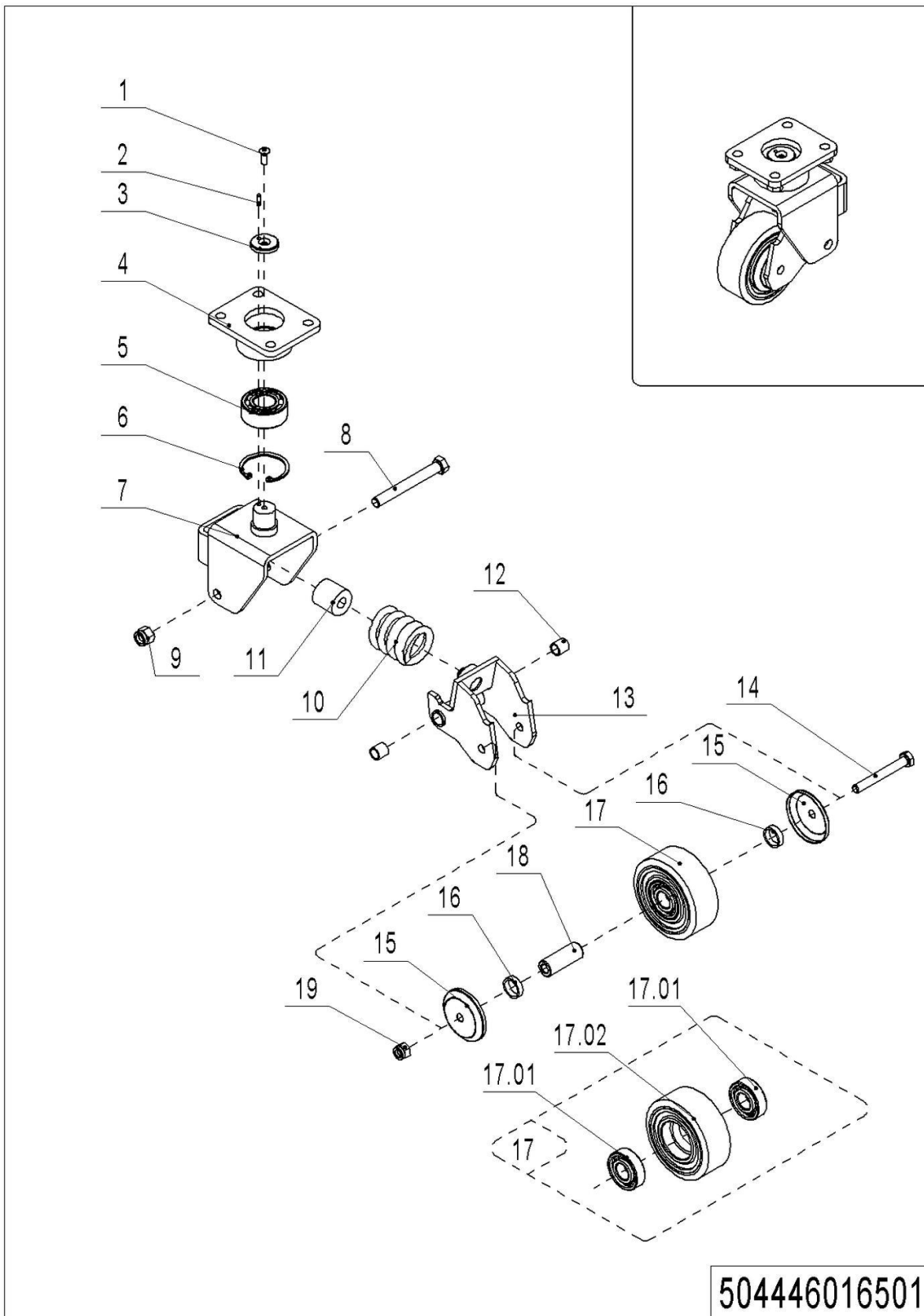
No.	Item Code	Mark	Item Description	Qty.	Substitute	Note
1	910600400027	1	Spring Pin	8		
2	505638520038		Pin	2		
3	911200100001		Oil Cup	2		
4	940500100012		Bushing	4		
5	505638520036		Riser	2		
6	940500200003		Bushing	2		
7	502398510003		Pulley components	2		
7.01	910300500005	1	Nut	2		
7.02	505638520039		Running Pulley	2		
7.03	910100100035	1	Bolt	2		
8	505617020001		Plate	4		
9	505617020000		Axle	4		
10	505698510003		Wheel	4		
10.01	940300300010		Wheel Φ 84x84	4		
10.02	910700200019		Bearing	8		

06 Load Wheel (Single) (505646017002)

06 Load Wheel (Single) (505646017002)

No.	Item Code	Mark	Item Description	Qty.	Substitute	Note
1	910600400027	1	Spring Pin	4		
2	505638520038		Pin	2		
3	911200100001		Oil Cup	2		
4	940500100012		Bushing	4		
5	505638520036		Riser	2		
6	505698510004		Wheel	2		
6.01	940300300006		WheelΦ82x110	2		
6.02	910700200019		Bearing	4		
7	502398510003		Pulley components	2		
7.01	910300500005	1	Nut	2		
7.02	505638520039		Running Pulley	2		
7.03	910100100035	1	Bolt	2		
8	505617020002		Axle	2		
9	910600400030	1	Spring Pin	4		

07 Caster (504446016501)

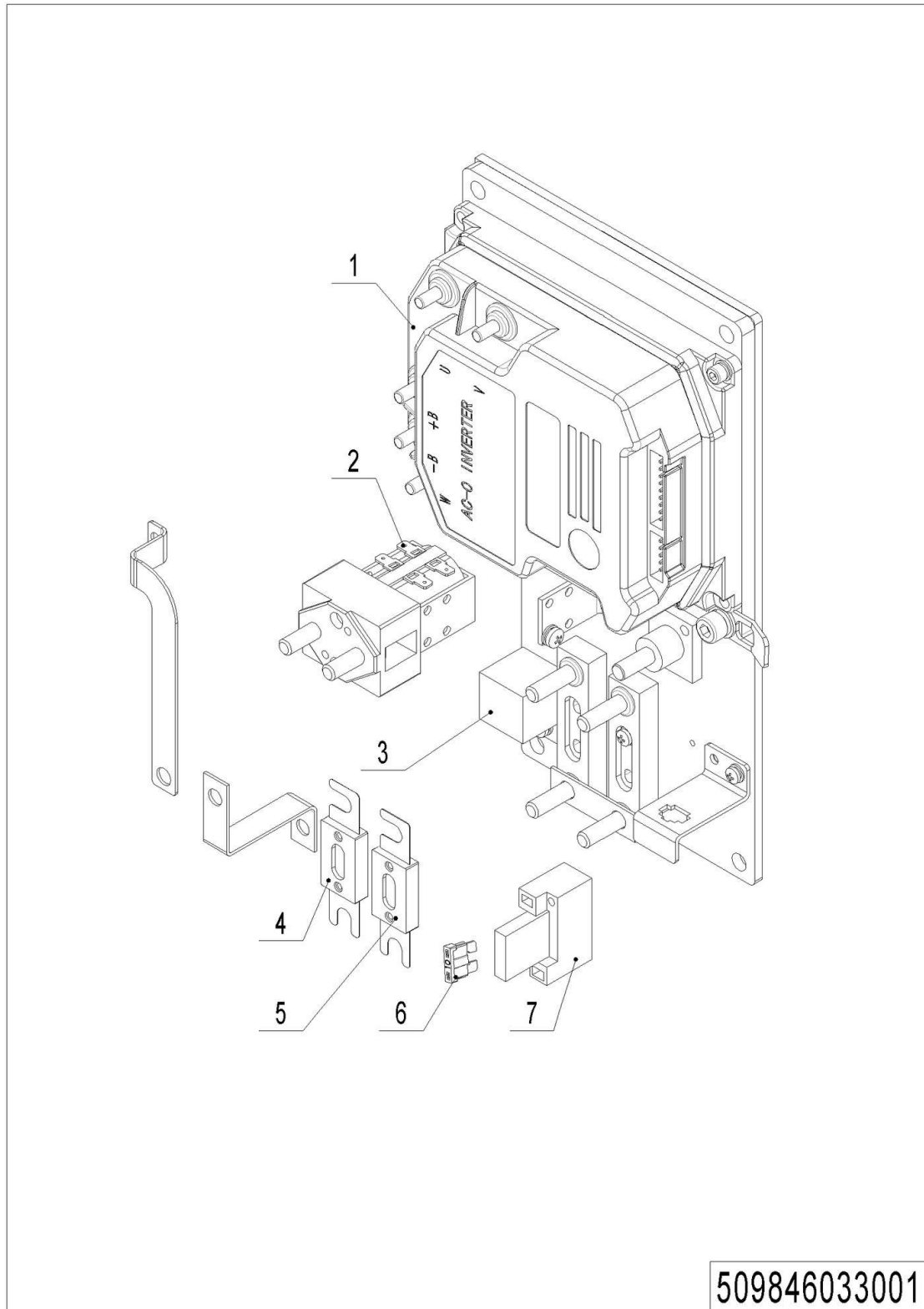


07 Caster (504446016501)

No.	Item Code	Mark	Item Description	Qty.	Substitute	Note
--	504416501001	2	Caster Assembly	2		
1	941100300001	1	Screw	2		
2	910600100004	1	Cylindrical Pin	2		
3	505616520007		Retaining Ring	2		
4	504416510002		Plate	2		
5	910700500002		Bearing	2		
6	910401400016		Circlip	2		
7	505616510001		Wheel Carrier	2		
8	941100200002	1	Bolt	2		
9	910300500006	1	Nut	1		
10	940400500007		Spring	2		
11	505616520000		Spring	2		
12	940500100002		Bushing	4		
13	505616510003		Whirling Arm	2		
14	910100100038	1	Bolt	2		
15	505616520011		Dust Cap	4		
16	505616520012		Check Ring	4		
17	503598510003		Caster Assembly	2		
17.01	940300300018		WheelΦ100x40	2		
17.01	910700200019		Bearing	4		
18	505616520013		Bushing	2		
19	910300500005	1	Nut	1		

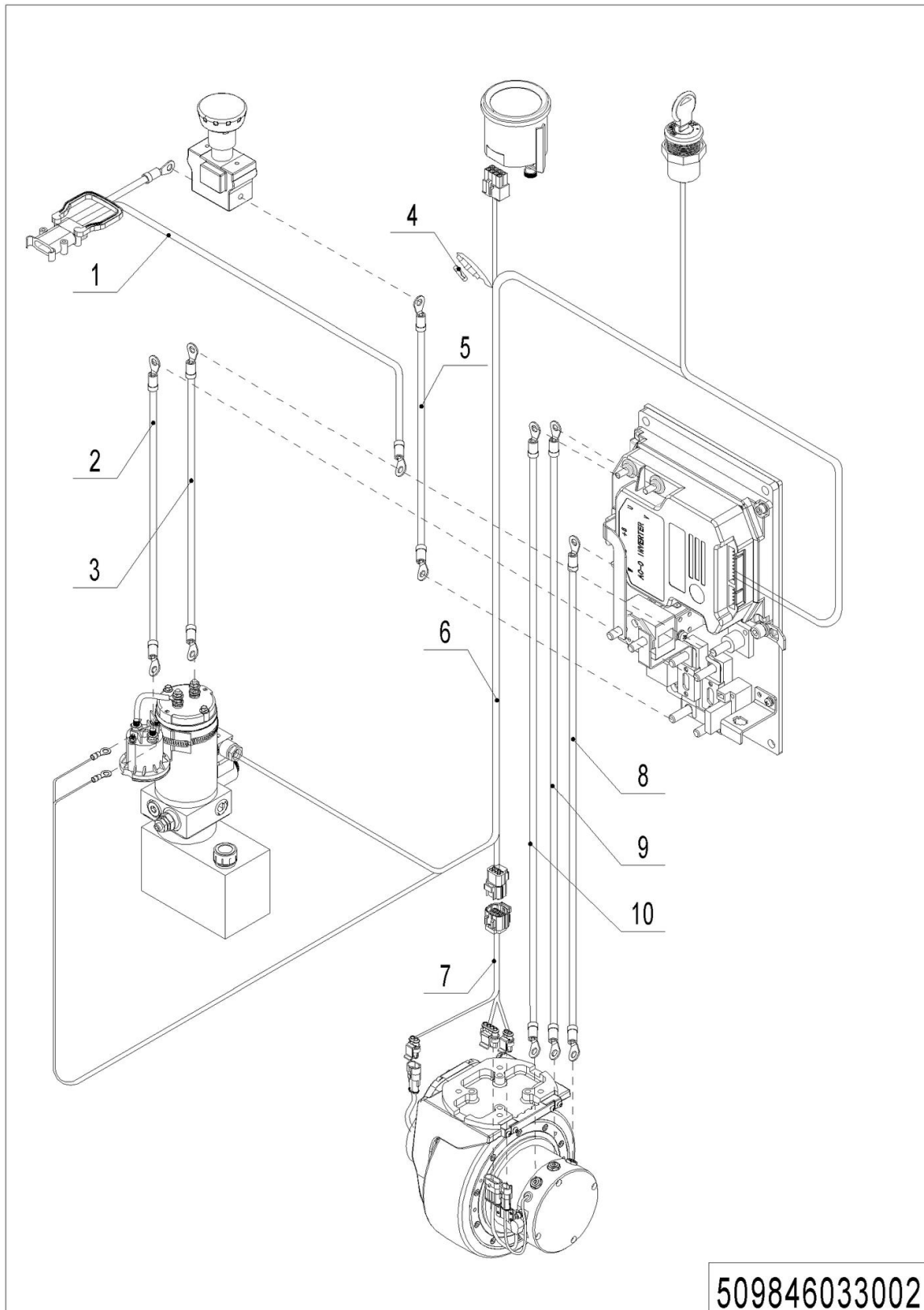
Chapter 5: Electrical Parts

01 Controller (509846033001)



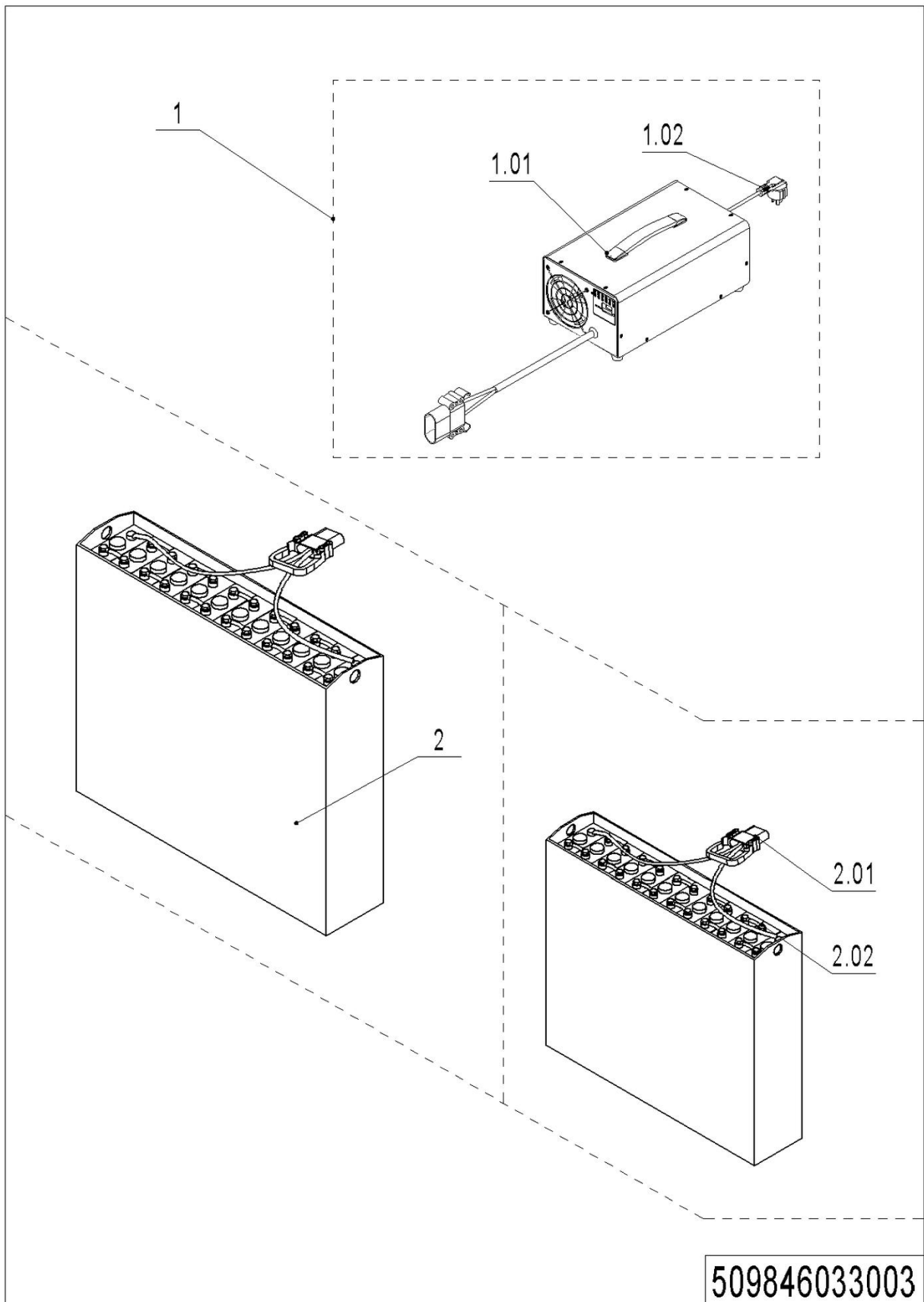
01 Controller (509846033001)

No.	Item Code	Mark	Item Description	Qty.	Substitute	Note
1	921400100119	2	Controller	1		
2	920700100004	2	Contactactor	1		
3	920800100001	2	Relay	1		
4	920100100004		Fuse	1		
5	920100100007		Fuse	1		
6	920100200002		Fuse	1		
7	920100400006	2	Fuse Holder	1		

02 Wire Harness (509846033002)

02 Wire Harness (509846033002)

No.	Item Code	Mark	Item Description	Qty.	Substitute	Note
1	509833010008	2	Wire Harness	1		
2	509833010006	2	Cable -FP-10-8-8-1500	1		
3	509833010007	2	Cable -E2-10-6-8-1100	1		
4	920100300001		Fuse	1		
5	509833010009	2	Cable -FU+-25-8-8-850	1		
6	509833010000	2	Wire Harness	1		
6	509833010016	2	Wire Harness	1		
7	509833010020	2	Motor transition harness	1		
8	509833010005	2	Cable -W-16-6-8-1600	1		
9	509833010004	2	Cable -V-16-6-8-1350	1		

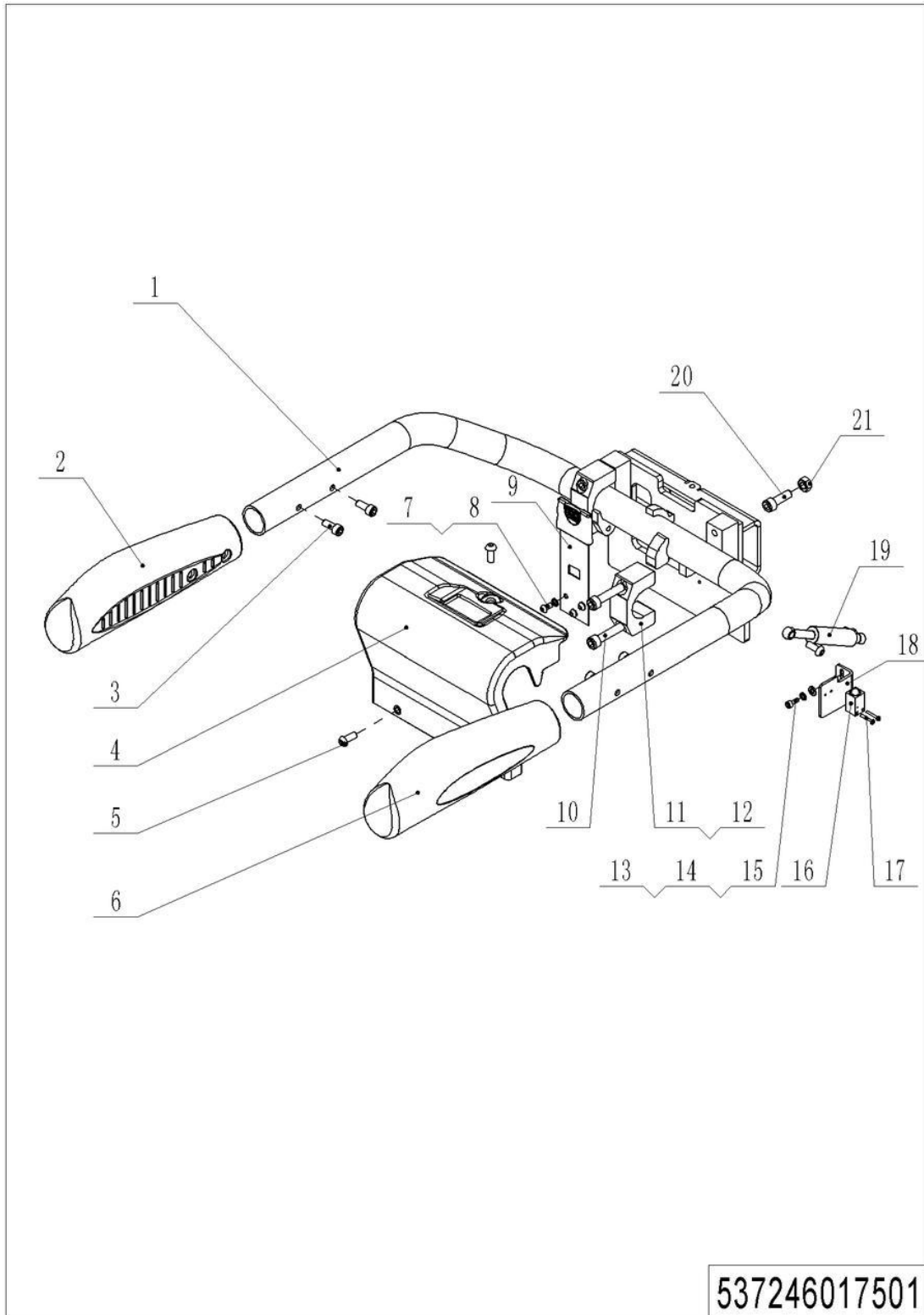
03 Battery and charger (509846033003)

03 Battery and charger (509846033003)

No.	Item Code	Mark	Item Description	Qty.	Substitute	Note
1	509836501001	2	Charger 24V25A(Aisa-CHN)	1		
1	509836501002	2	Charger 24V25A(Aisa-ENG)	1		
1	509836501003	2	Charger 24V25A(US)	1		
1	509836501004	2	Charger 24V25A(EN)	1		
1	509836501005	2	Charger 24V25A(AUS)	1		
1	509836501006	2	Charger 24V25A(Italy)	1		
1	509836501007	2	Charger 24V25A(Switzerland)	1		
1.01	921000200485	2	Charger SWCH24V25A	1		
1.02	921500200021	2	Power Cord (Asia)	1		
1.02	921500200027	2	Power Cord(ENG)	1		
1.02	921500200054	2	Power Cord	1		
1.02	921500200022	2	Power Cord(EU)	1		
1.02	921500200024	2	Power Cord(AUS)	1		
1.02	921500200025	2	Power Cord(ITA)	1		
1.02	921500200026	2	Power Cord(SWE)	1		
2	506737510001	2	Battery 160Ah	1		
2.01	505698520000	2	Bolt	24		
2.02	505698510001	2	Connector	1		

Chapter 6: Guard Arm and Platform

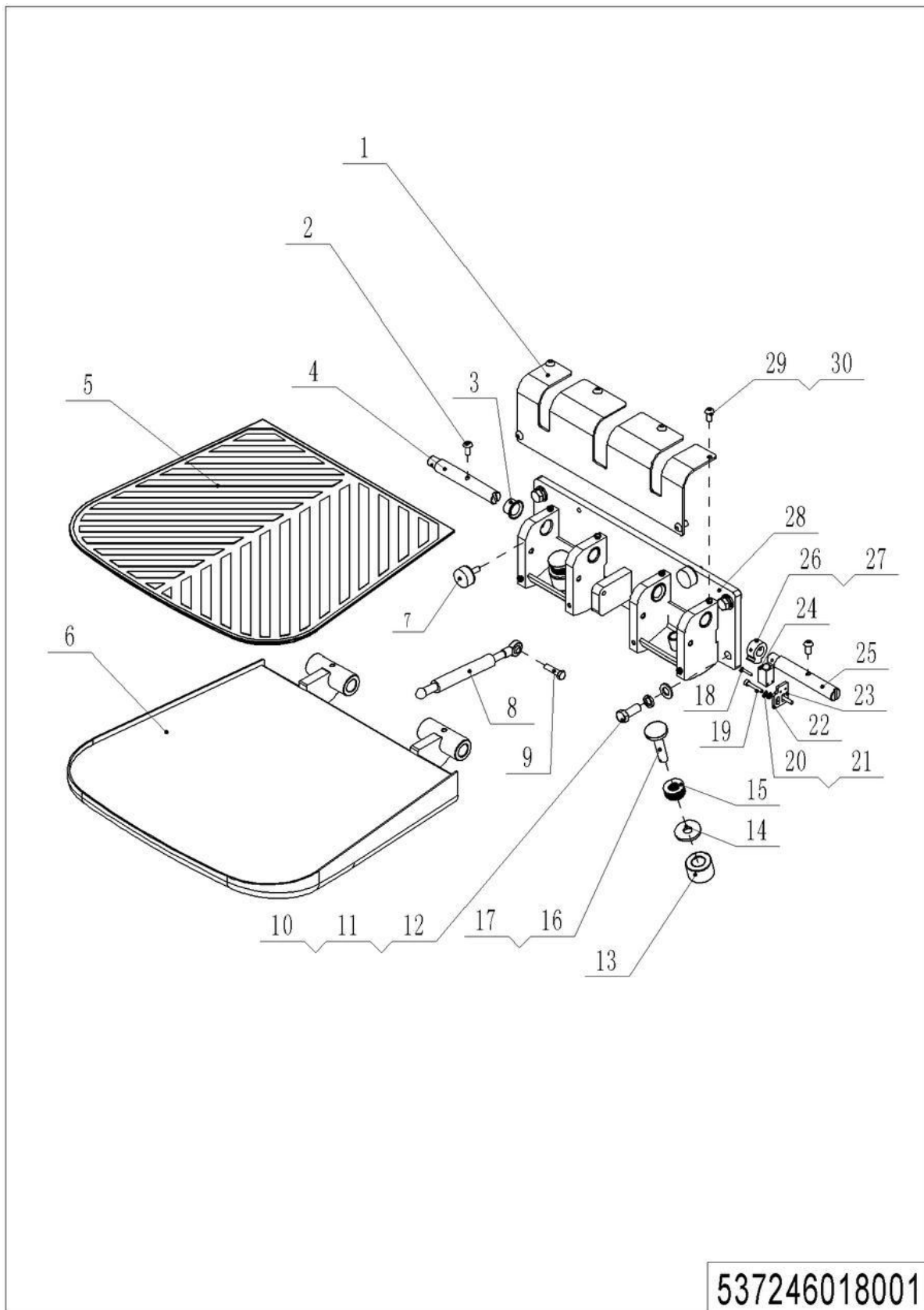
01 Guard Arm (537246017501)



01 Guard Arm (537246017501)

No.	Item Code	Mark	Item Description	Qty.	Substitute	Note
1	537217510000	2	Protective Arm	1		
2	505617510004	2	Guard Arm Sleeve	1		
3	910200300025	1	Screw	9		
4	509821520023	2	Protective Cover	1		
5	941100100012	1	Screw,M8x20	3		
6	505617510002	2	Guard Arm Sleeve	1		
7	910400500005	1	Spring Washer	3		
8	910200300017	1	Screw	3		
9	505617510005	2	Leaf Spring	1		
10	910200200080	1	Screw	4		
11	505617520005	2	Fixing Base	1		
12	505617520021	2	Friction	1		
13	910200200022	1	Screw	2		
14	910400500004	1	Spring Washer	2		
15	910400100004	1	Flat Washer	2		
16	505633510001	2	Proximity Switch	1		
17	910200500015	1	Screw	2		
18	537217520009	2	Reflector	1		
19	940400100006	2	Air Spring	1		
20	910200200077	1	Screw	1		
21	910300100007	1	Nut	1		

02 Platform (537246018001)

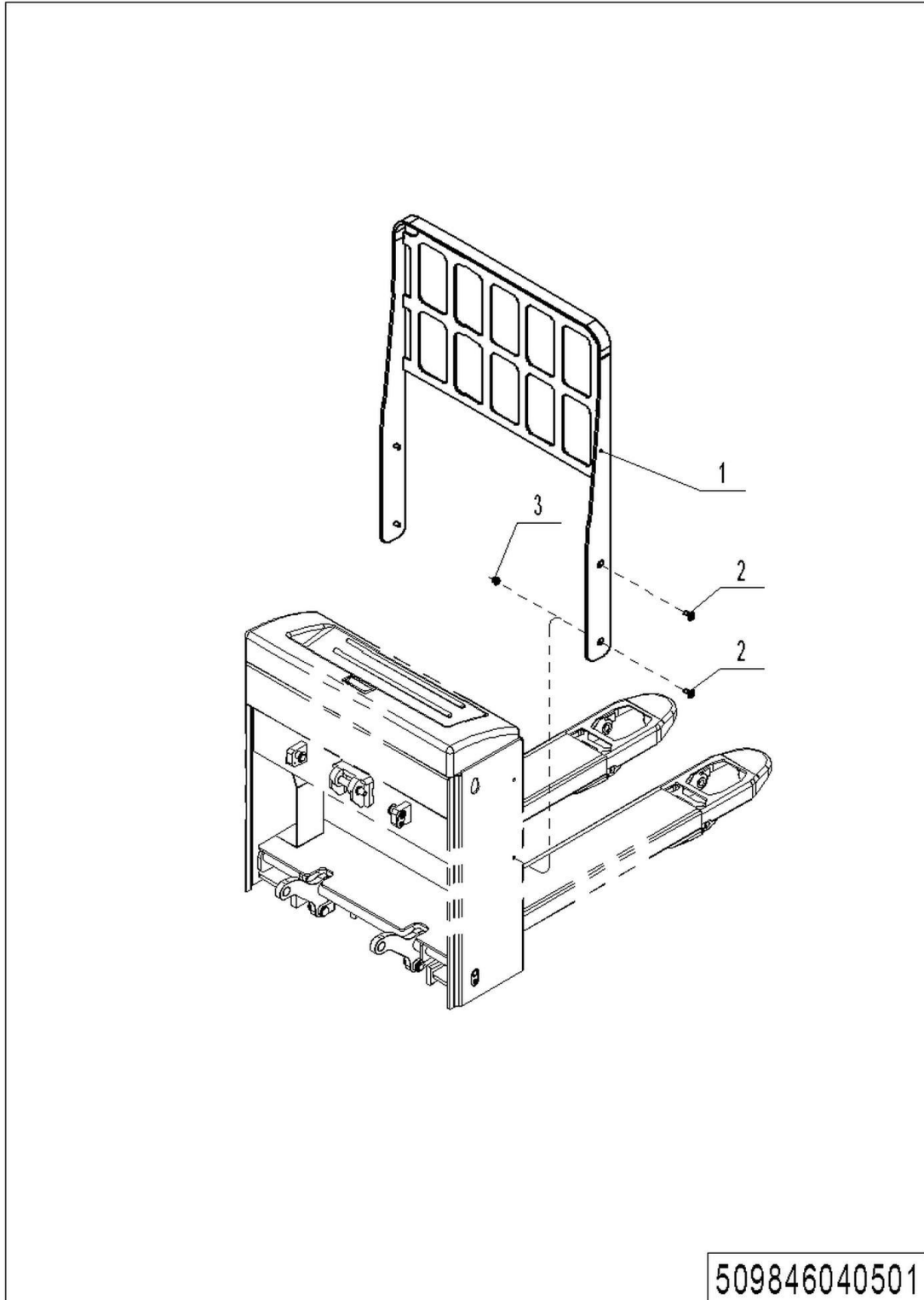


02 Platform (537246018001)

No.	Item Code	Mark	Item Description	Qty.	Substitute	Note
1	509818020004	2	Protective Cover	1		
2	910200300018	1	Screw	2		
3	505618020020	2	Axle	1		
4	940500200008	4	Bushing	4		
5	505618020018	1	Rubber Mat	1		
6	509818010000	2	Platform	1		
7	505618020016	2	Crash Pad	2		
8	940400100039	1	Air Spring	1		
9	910100300024	1	Bolt	1		
10	910100300050	1	Bolt	4		
11	910400500008	1	Spring Washer	4		
12	910400100008	1	Flat Washer	4		
13	505618020029	2	Crash Pad	2		
14	505618020022	2	Crash Pad	2		
15	505618020030	2	Sleeve	2		
16	505618020021	2	Pin	2		
17	910600600026	1	Cotter Pin	2		
18	910200500015	1	Screw	2		
19	910200200026	1	Screw	2		
20	910400500004	1	Spring Washer	2		
21	910400100004	1	Flat Washer	2		
22	505618020026	2	Mounting Plate	1		
23	505618020027	2	Mounting Plate	1		
24	505633510002	2	Proximity Switch	1		
25	505618020017	2	Pin	1		
26	910200400005	1	Screw	1		
27	505618020024	2	Cam	1		
28	509818010001	2	Mounting Base	1		
29	910400500005	1	Spring Washer	6		
30	910200300017	1	Screw	6		

Chapter 7: Special Parts

01 Load Backrest (509846040501)

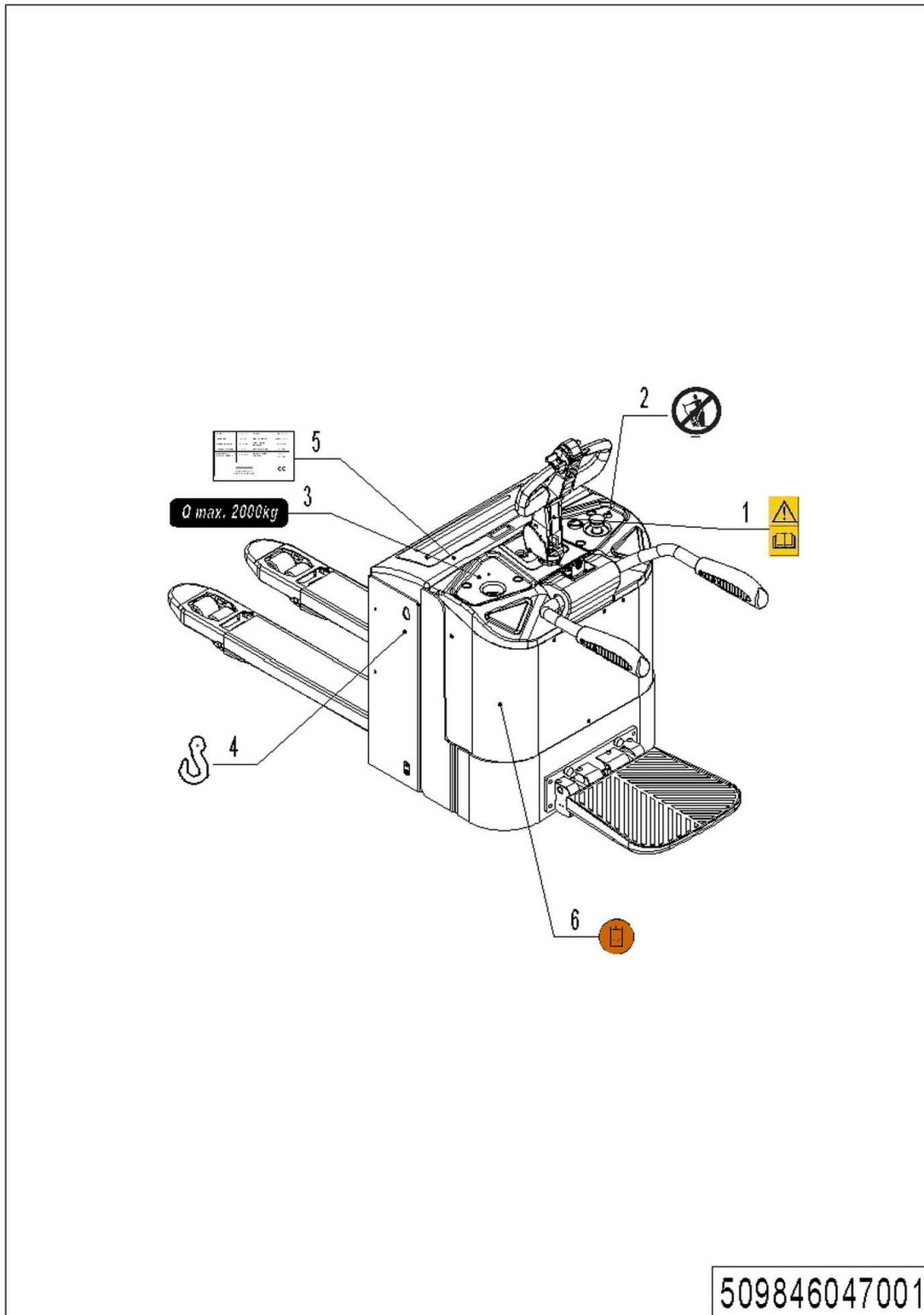


01 Load Backrest (509846040501)

No.	Item Code	Mark	Item Description	Qty.	Substitute	Note
1	532640510001	2	Load Backrest	1		
2	910200200076	1	Screw	4		
3	910300500005	1	Nut	4		

Chapter 8: Others

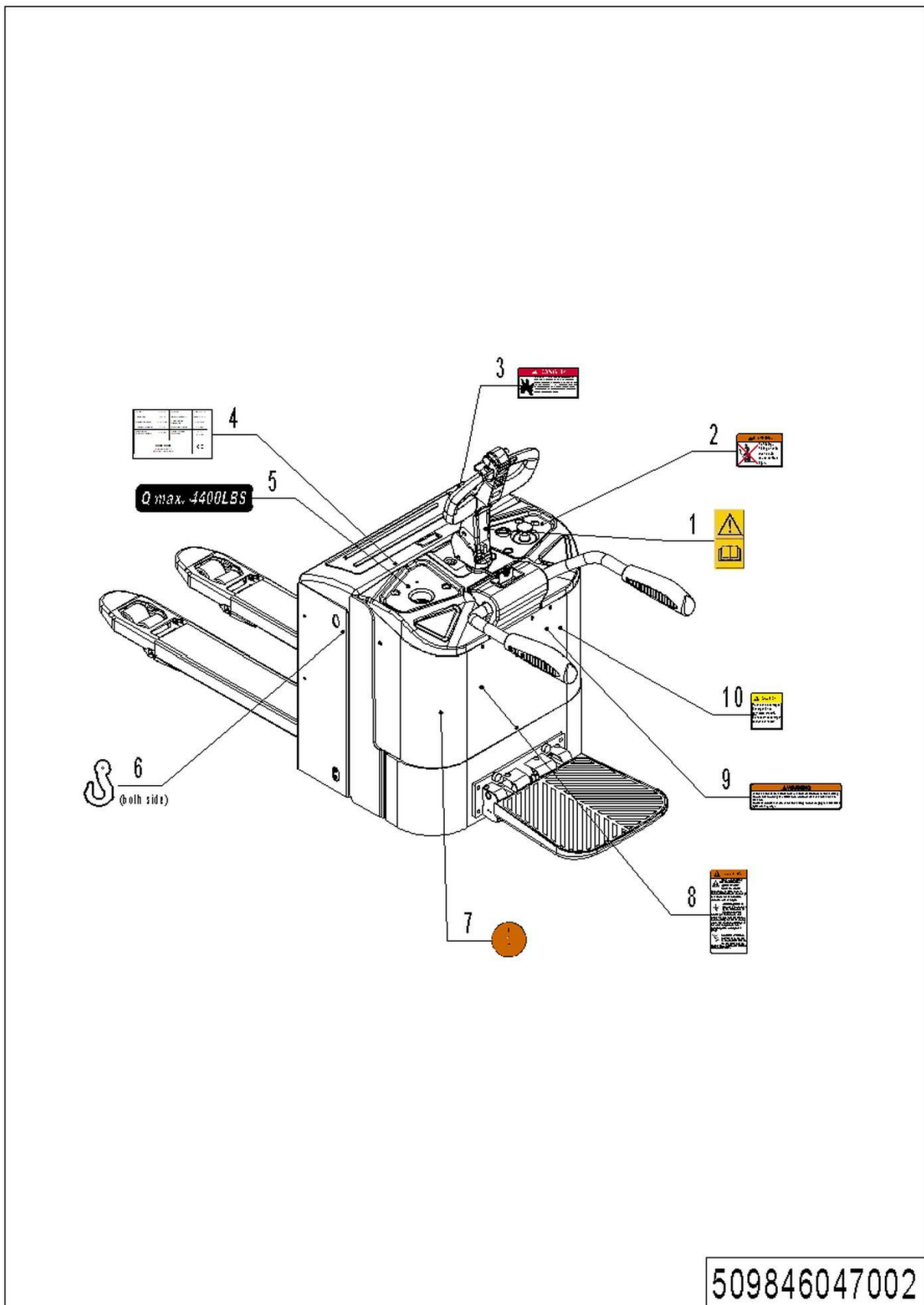
01 Labels and Decals-EU (509846047001)



01 Labels and Decals-EU (509846047001)

No.	Item Code	Mark	Item Description	Qty.	Substitute	Note
1	941200300002	2	Label	1		
2	941200100003	2	Label	1		
3	941200200010	2	Label	1		
4	941200300001	2	Label	2		
5	509847020001	2	铭牌	1		
6	941200300003	2	Label	1		

02 Labels and Decals-US (509846047002)

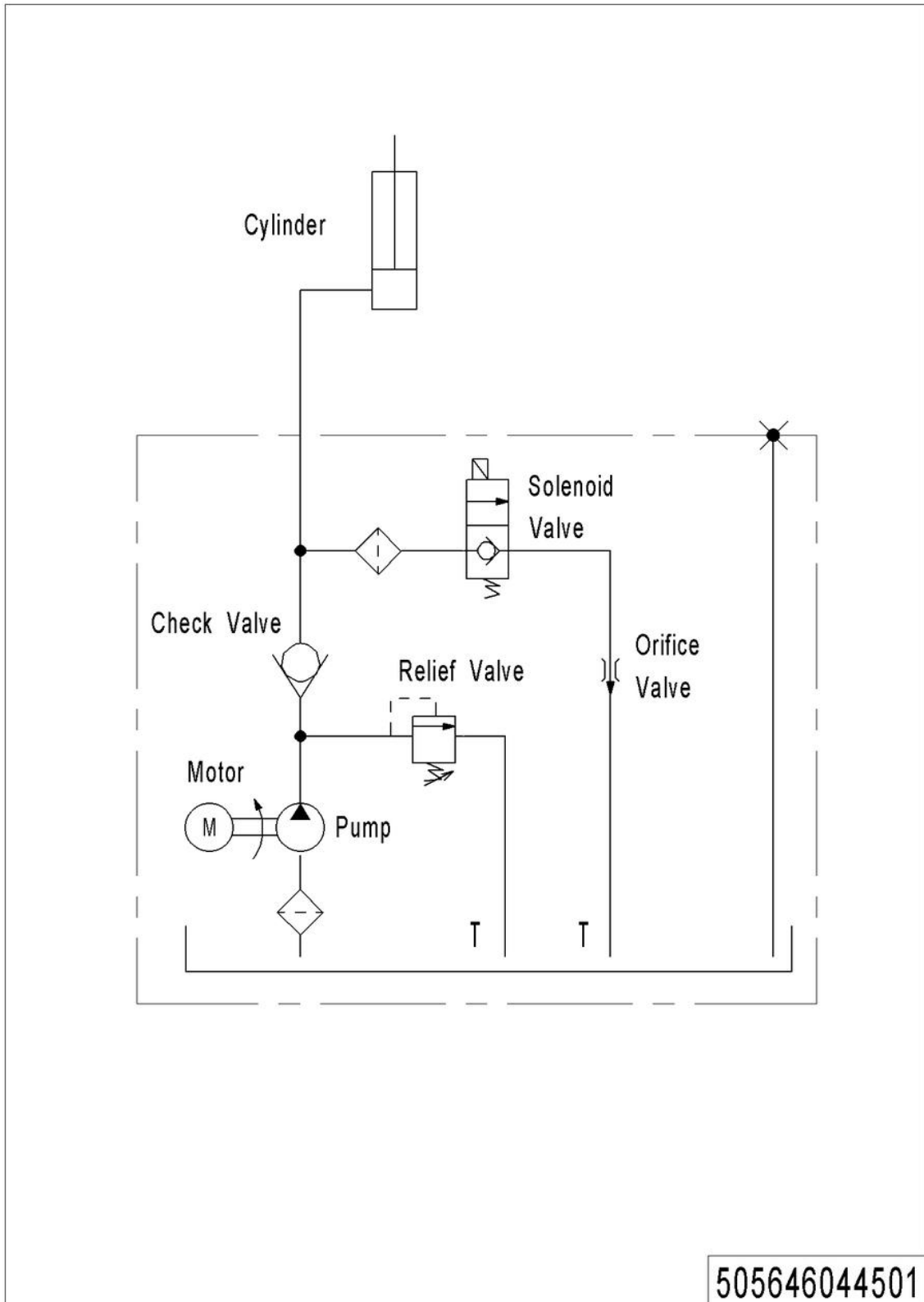


02 Labels and Decals-US (509846047002)

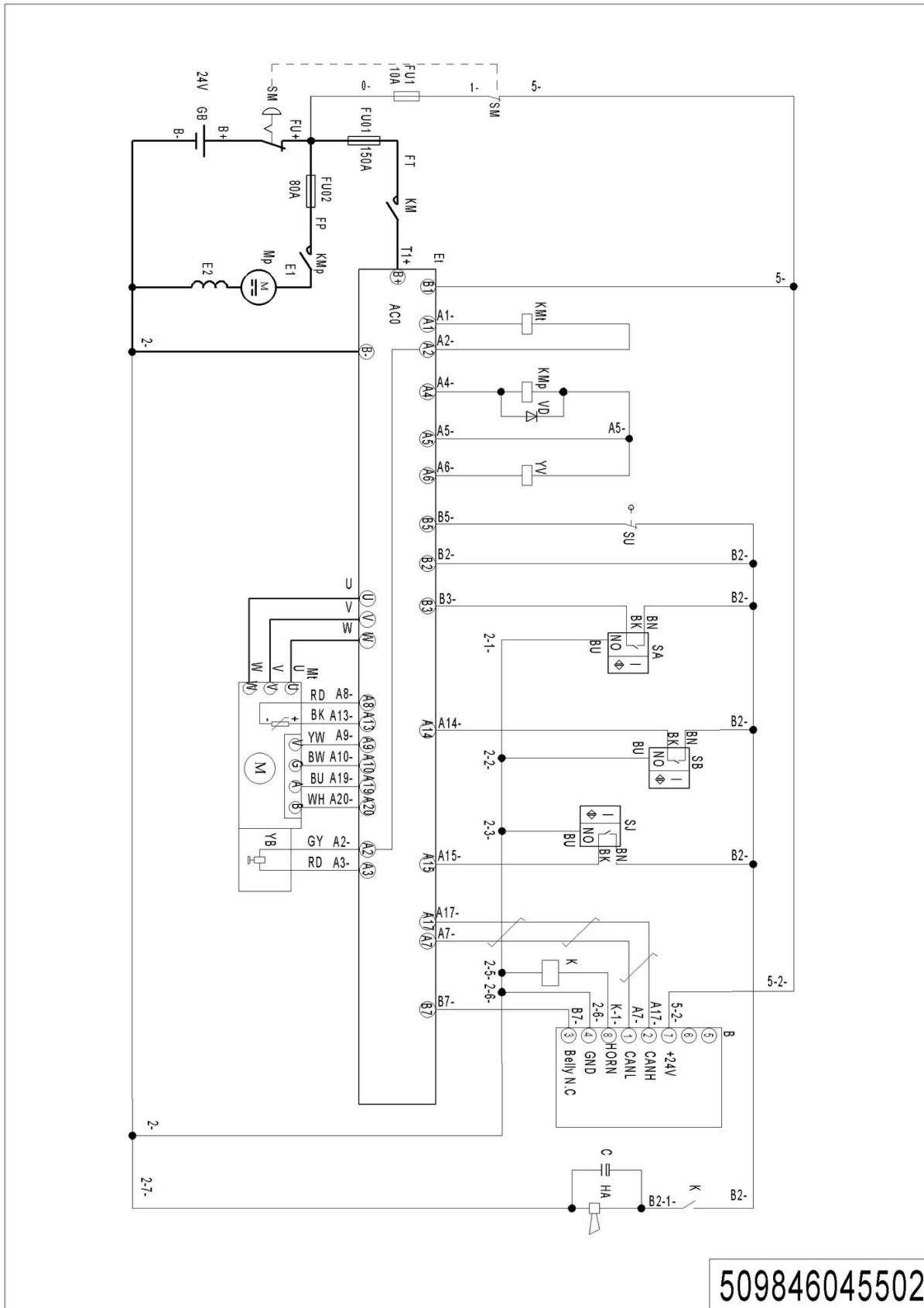
No.	Item Code	Mark	Item Description	Qty.	Substitute	Note
1	941200300002		Label	1		
2	941200100011		Label	1		
3	941200100013		Label	1		
4	509847020002		铭牌	1		
5	941200200038		Label	1		
6	941200300001	2	Label	2		
7	941200300003	2	Label	1		
8	941200100009		Label	1		
9	941200100010		Label	1		
10	941200100012		Label	1		

Appendix

01 Hydraulic Circuit Diagram (505646044501)

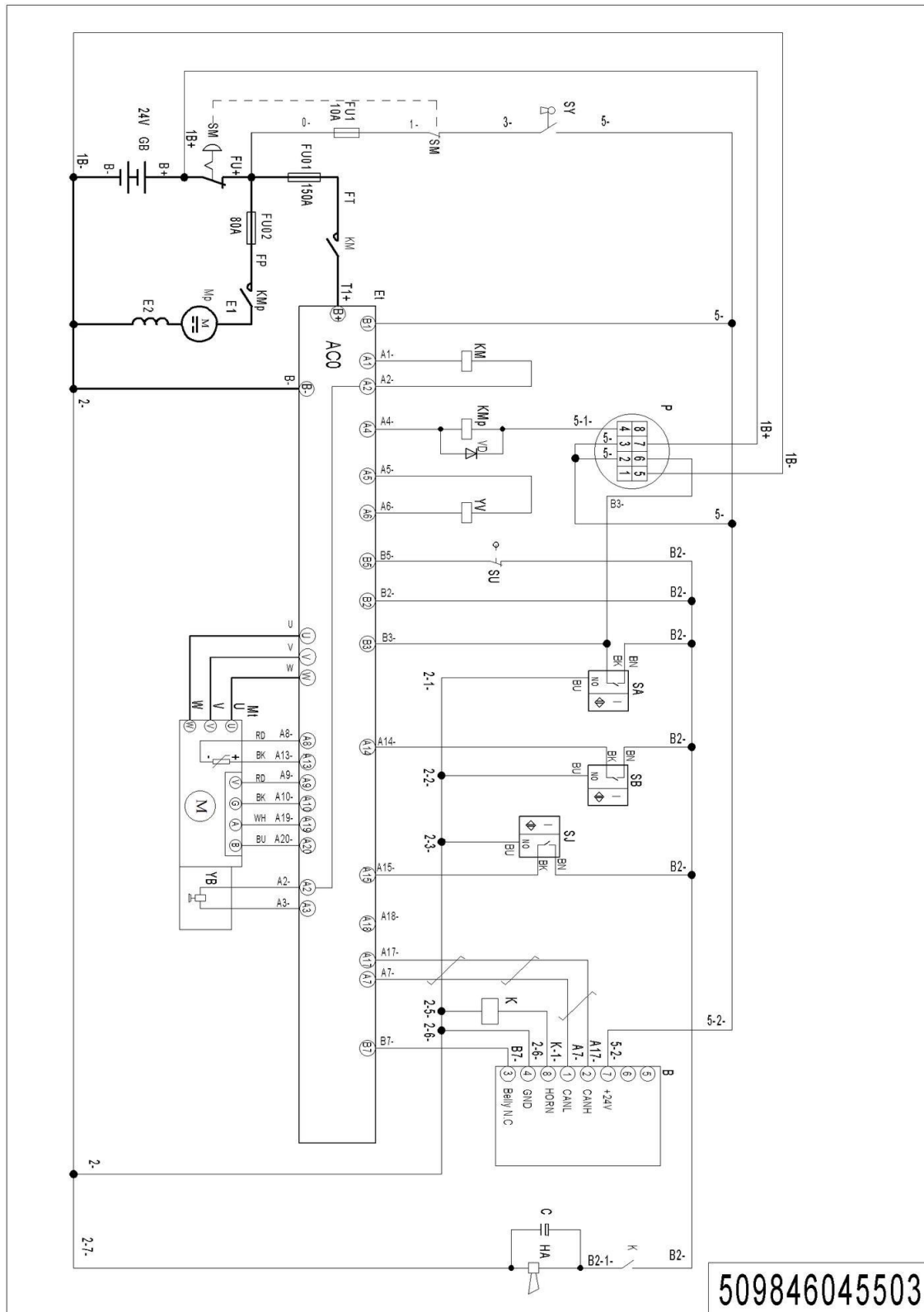


02 Electrical Circuit Diagram (509846044502)



1= Supply as package. 2= Supply with constraints. 3= Phasing-out supply. 4= Supply as assembly. 5= Check other tables.

03 Electrical Circuit Diagram (509846044503)



1= Supply as package. 2= Supply with constraints. 3= Phasing-out supply. 4= Supply as assembly. 5= Check other tables.

04 Consumable Parts List

No.	Item Code	Item Description	Qty.	Chapter/ Section/ Number
1	505698510005	Seal Kit	1	Chapter 2/01/13.01
2	940500100027	Bushing	2	Chapter 3/01/6
3	940500100019	Bushing	2	Chapter 3/01/7
4	940500100032	Bushing	2	Chapter 3/01/8
5	940500100012	Bushing	8	Chapter 3/01/14, Chapter 4/05/4, Chapter 4/06/4
6	940500100017	Bushing	4	Chapter 3/02/35
7	940400100044	Air Spring	1	Chapter 4/01/5
8	940400100003	Air Spring	1	Chapter 4/03/13
9	940500200003	Bushing	4	Chapter 4/05/6
10	940300300010	WheelΦ84x84	4	Chapter 4/05/10.01
11	910700200019	Bearing	12/8	Chapter 4/05/10.02、 Chapter 4/06/6.02
11	910700200019	Bearing	12/8	Chapter 4/07/17.02
12	940300300006	WheelΦ82x110	2	Chapter 4/06/6.01
13	910700500002	Bearing	2	Chapter 4/07/5
14	940300300018	WheelΦ100x40	2	Chapter 4/07/17.01
15	920100100004	Fuse	1	Chapter 5/01/4
16	920100100007	Fuse	1	Chapter 5/01/5
17	920100200002	Fuse	1	Chapter 5/01/6
18	940400100006	Air Spring	1	Chapter 5/01/19
19	940500200008	Bushing	2	Chapter 6/02/4
20	940400100039	Air Spring	1	Chapter 6/02/8